

MSDESIGN
BESPOKE LIVING AND DECOR

click zip
zip screens – precision solar
shading systems



WE GIVE THE SPACE THE RESPECT IT DESERVES

The spaces we live in should work harder for us. Our zip screen systems are designed not just to shade – but to transform the way you experience your home, your terrace, your garden. Control the light. Manage the heat. Protect what matters. And beyond comfort, there is a responsibility. Every product we supply is manufactured using 100% sustainable energy, with recycled aluminium and FSC-certified materials. Quality that lasts. Made with care for the environment.

MS DESIGN IS SUSTAINABILITY

“We protect ourselves from the sun to live better – but we need it to light up our world. So we seek an outdoor space that lives beneath the sky but stays connected to the home. Bright when we want light, sheltered when the sun is strong, and always in harmony with the environment around us.”



Manufactured exclusively using 100% sustainable energy



Recycled aluminium used throughout – built to be recycled again



Active commitment to becoming a plastic-free operation by 2030



FSC-certified paper used across all print materials

click zip

FEATURES	> 4	MOUNTING THE SIDE GUIDING	> 20
THE RANGE	> 6	CLICK ZIP GHOST 11/15	> 24
SAVING ENERGY	> 9	HOOK-UP PATENT	> 25
LED LIGHTING	> 11	TECHNICAL DATA	> 28
ZIP TECHNOLOGY	> 12	CERTIFICATIONS	> 29
MAG LOCK PATENT	> 14	PRODUCT CHART	> 31
CASSETTE BOX	> 16		>
GUIDES AND FRONT PROFILE	> 18		



CLICK ZIPS

what sets it apart

The Click Zip range is a family of precision-engineered vertical drop awning systems, designed to protect and screen a wide variety of spaces. Available in multiple models - with or without cassette box - every system in the range features patented Zip technology side guides for outstanding wind resistance and consistent lateral fabric tensioning.

Whether screening a window, enclosing a large portico, or integrating seamlessly into the architecture of a new build, there is a Click Zip configuration built for the task.

Core Benefits

- Reduces reliance on air conditioning - contributing to lower energy bills and a smaller environmental footprint
- Improves thermal and visual comfort in interior spaces
- Filters and reduces solar radiation - efficiency dependent on fabric weight, thickness and colour
- Available with transparent Cristal PVC fabric for wind and rain protection in autumn and winter
- All models available with energy-efficient, ultra-quiet 24V Somfy® motors solar-powered options available

patents



Smart Cover



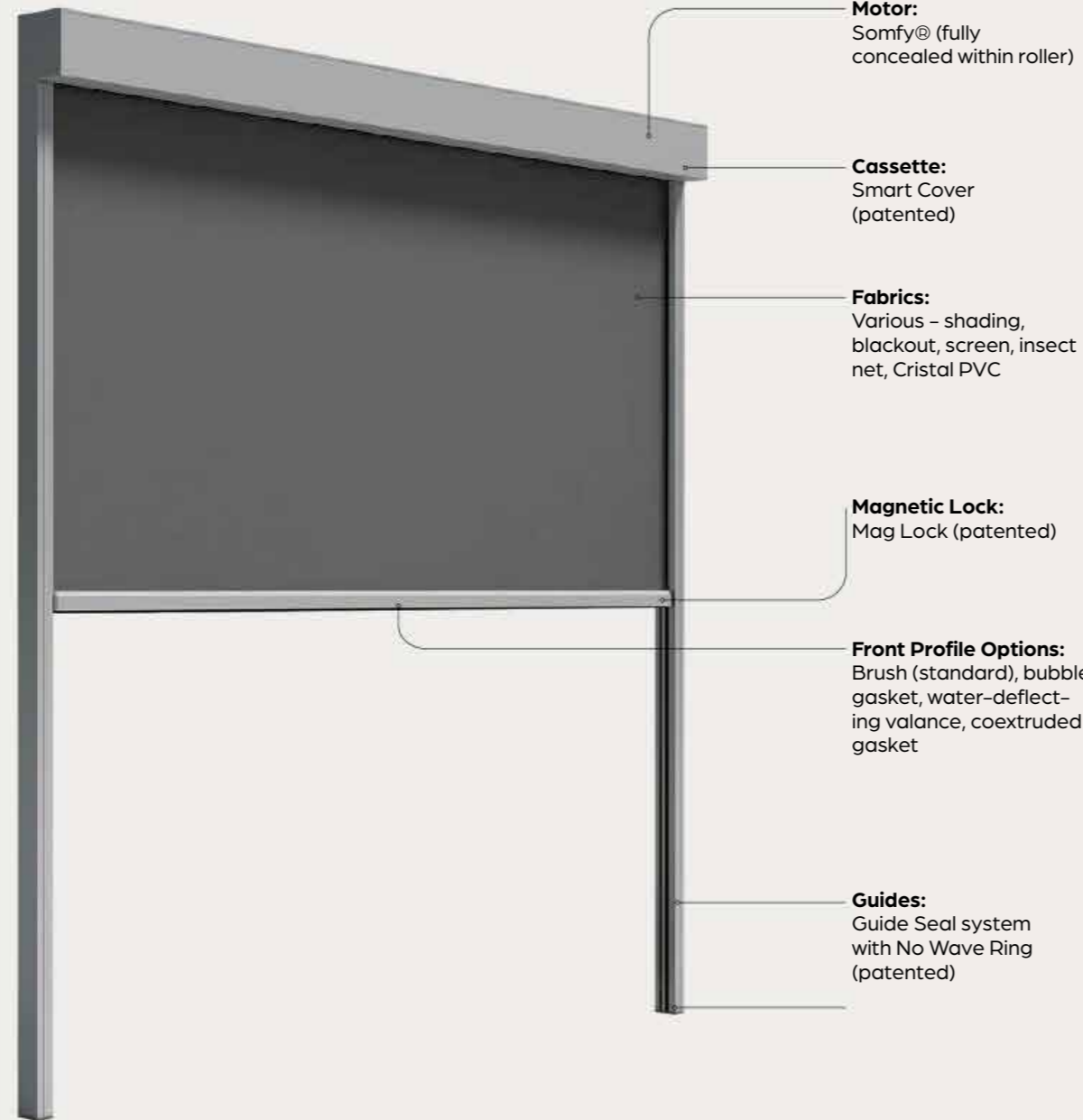
Guide Seal



Mag Lock



No Wave ring



Sun protection

EN Click Zip improve comfort, controlling temperature without blocking the view of the outdoors. They can reduce the building's energy expenditure and make outdoor spaces more enjoyable. Their ability to filter out and reduce solar radiation increases accordingly with the weight, thickness and colour of the fabric.



Wind-rain protection autumn-winter

EN Zip screens can also be a perfect solution for the autumn-winter period: thanks to Cristal, the transparent PVC fabric that guarantees protection against wind and rain, you can still enjoy panoramic views and lots of light.



THE CLICK ZIP COLLECTION



Click Zip 9 / 11 / 13 / 15 / Naked

Vertical drop awnings in a square-section cassette box – available in four cassette sizes – or without a cassette box entirely (Naked). All models feature Zip technology side guides with the patented Mag Lock magnetic locking system integrated.

Designed specifically for shading and screening windows and glazed surfaces, the standard range delivers a clean, tailored solution for residential and commercial projects. The Naked model – without cassette box – is the ideal solution where a ceiling recess is available, offering a fully flush finish.

The Click Zip 11 UP and Click Zip 13 UP variants can be installed directly to the ceiling, extending the range of architectural possibilities further still.

Click Zip Ghost 11 / 15

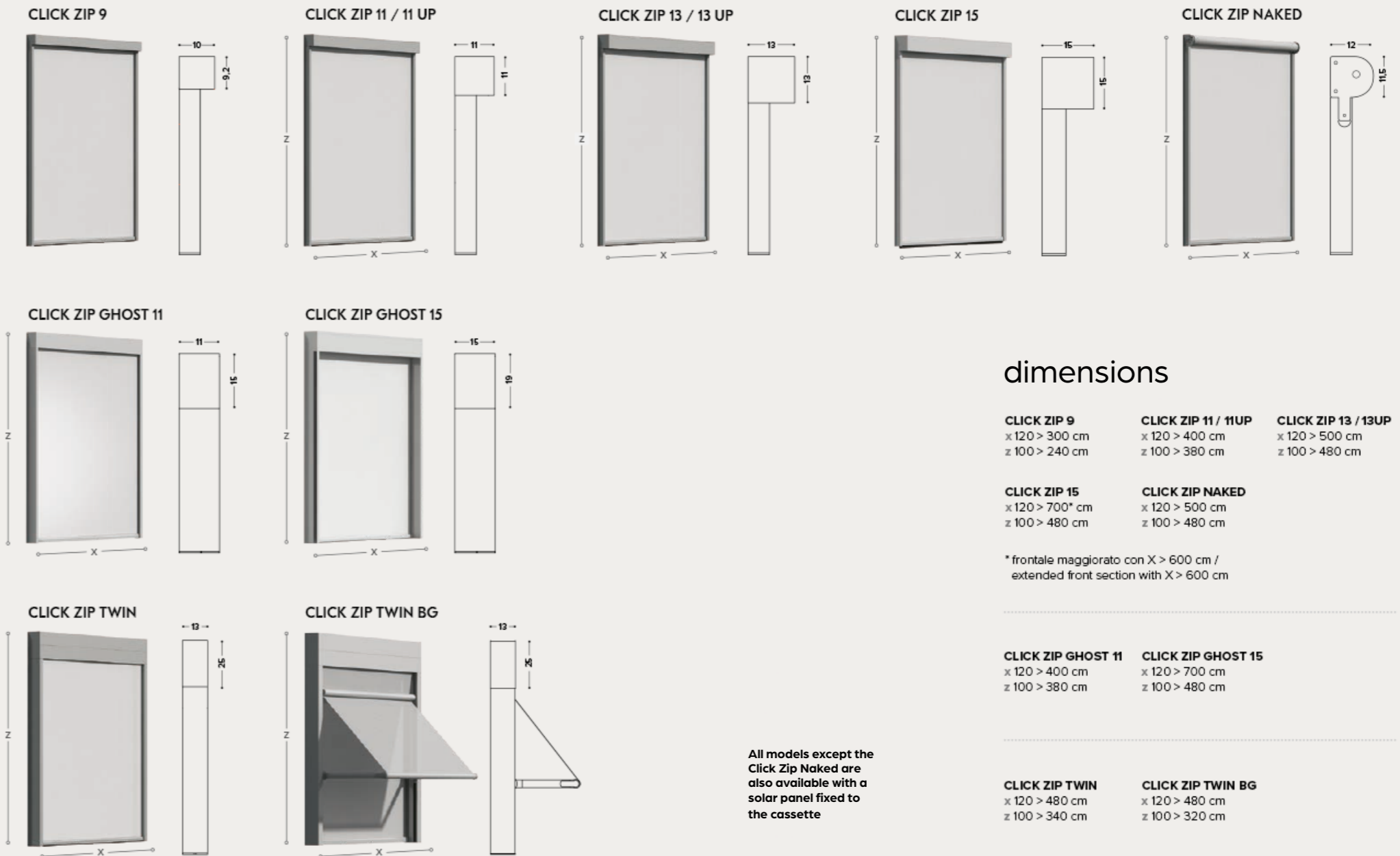
A refined evolution of the standard range. The Ghost features a front profile engineered to retract completely inside the cassette when the awning is rolled up – resulting in a visually invisible system that disappears into the architecture.

The cassette is fully inspectable from below, with die-cast aluminium end elements powder-coated to match the frame colour. When fitted with recessed guides, the entire system can be integrated flush into the window block. Also available with a solar-powered radio motor.

Click Zip Twin / Twin BG

Where larger spans are required, the Twin is the answer. A vertical drop awning in a rectangular section cassette, the Twin houses two rollers within a single box – one for a summer shading fabric and one for a Cristal transparent PVC fabric for the autumn and winter months. A single installation, engineered for every season.

The Twin BG variant features an external fabric fitted with arms that slide along the guide rails for an alternative installation profile.



dimensions

CLICK ZIP 9 x 120 > 300 cm z 100 > 240 cm	CLICK ZIP 11 / 11UP x 120 > 400 cm z 100 > 380 cm	CLICK ZIP 13 / 13UP x 120 > 500 cm z 100 > 480 cm
--	--	--

CLICK ZIP 15 x 120 > 700* cm z 100 > 480 cm	CLICK ZIP NAKED x 120 > 500 cm z 100 > 480 cm
--	--

* frontale maggiorato con X > 600 cm /
extended front section with X > 600 cm

CLICK ZIP GHOST 11 x 120 > 400 cm z 100 > 380 cm	CLICK ZIP GHOST 15 x 120 > 700 cm z 100 > 480 cm
---	---

CLICK ZIP TWIN x 120 > 480 cm z 100 > 340 cm	CLICK ZIP TWIN BG x 120 > 480 cm z 100 > 320 cm
---	--

All models except the
Click Zip Naked are
also available with a
solar panel fixed to
the cassette



saving energy – by design

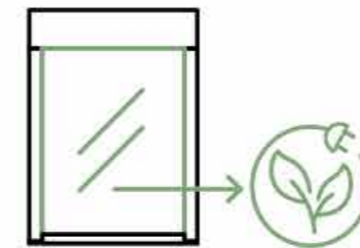
Energy efficiency is no longer a consideration – it is a requirement. As temperatures continue to rise and climate change accelerates, the demand for effective cooling solutions for buildings will only increase. Our zip screen systems address this head-on.

To lower the temperature of a building by one degree requires three times the energy needed to raise it by the same amount. Effective solar shading is one of the most efficient interventions available – and it begins before the heat enters the building, not after.

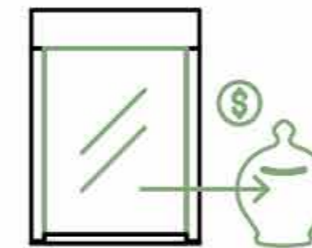
Energy-Efficient Motors

Every motor in the Click Zip range is a quiet, high-efficiency 24V unit – low consumption by design, and compatible with solar panel power supply. Automation brings intelligence: systems can be set to respond automatically to light levels and wind conditions, protecting the fabric and optimising comfort without manual intervention.

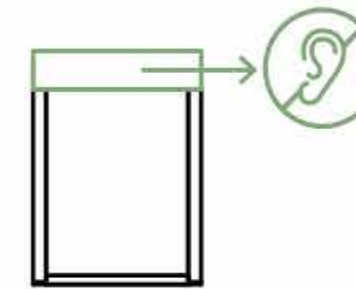
- Quiet 24V high-efficiency motors as standard
- Solar panel power supply option available on all cassette models
- Somfy® Sunteis IO sun sensor – fabric opens and closes in response to sunlight intensity
- Somfy® Eolis Wirefree IO wind sensor – automatic retraction on wind detection



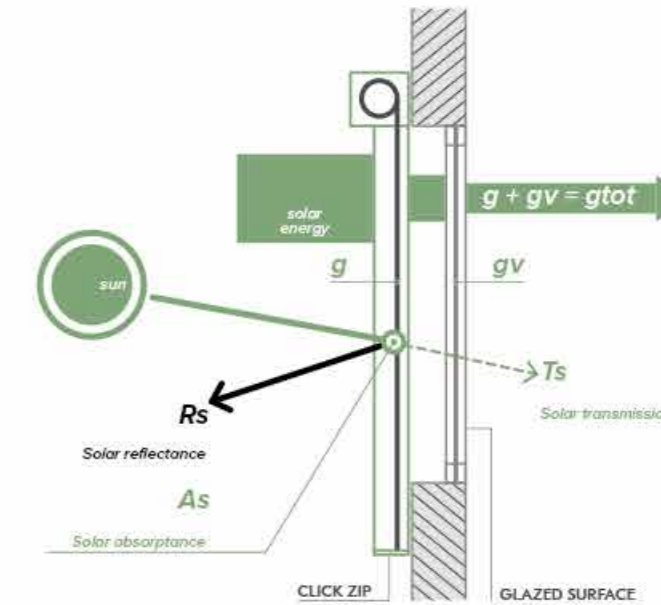
more respectful of the environment



reduces spending on energy



quiet motors low consumption



Solar Transmittance

The gtot Factor
The gv factor measures how much solar radiation passes through the glass alone. The gtot factor measures the combined performance of glass and solar shading device together – the number that truly matters.

g screen + gv glass = gtot

The lower the gtot value, the more effectively the system blocks solar radiation. Every fabric type and colour variation carries its own certified gtot value – contact the MS Design team for fabric-specific performance data.



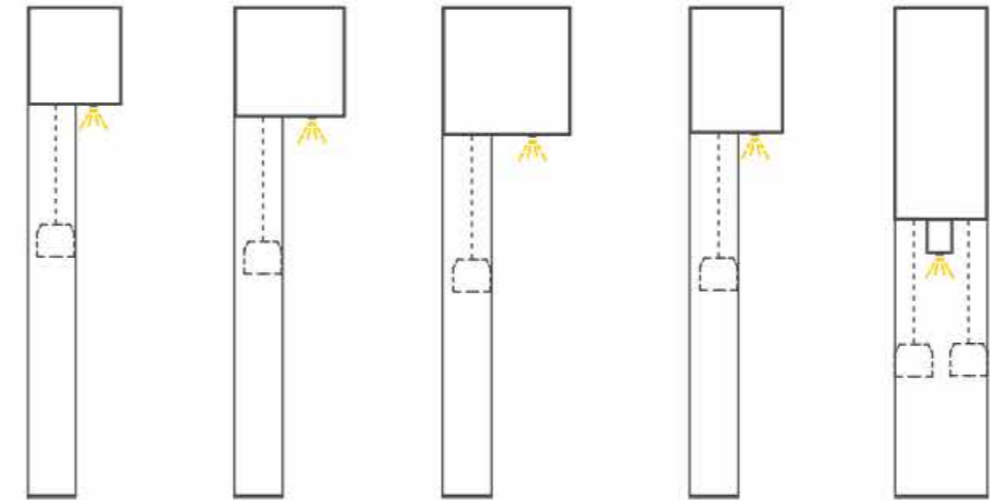
illuminate the space beneath

The Microspot LED system integrates directly into the underside of the cassette box, delivering a refined play of light and shadow across the surface below. Circular spot LEDs, 6 mm in diameter, create a considered lighting effect that makes the space feel as considered after dark as it does in daylight.

Microspot LED – Specifications

- Round LED spots, 6 mm diameter, integrated into cassette underside
- Neutral white light – 4,000 K colour temperature (warm 3,000 K available on request)
- One light point per 18 cm, following the dimensional grid
- Luminous flux: 84 lumens per LED – dimmable
- Operated via the standard awning remote control

Compatible with: Click Zip 11 / 11 UP, 13 / 13 UP, 15, Ghost 11 / 15, Twin, Twin BG.
Not available on Click Zip 9.



CLICK ZIP 11 / 11 UP

CLICK ZIP 13 / 13 UP

CLICK ZIP 15

CLICK ZIP GHOST 11 / 15

CLICK ZIP TWIN
CLICK ZIP TWIN BG

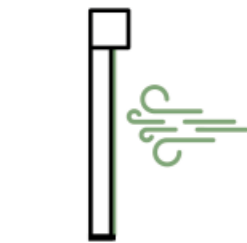
the engineering behind the system

At the heart of every Click Zip system is the Zip guide technology – the reason the fabric performs so consistently, regardless of conditions.

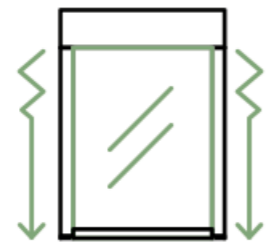
Zip technology allows the fabric to extend and retract with optimum smoothness, while simultaneously maintaining excellent lateral tensioning across the full width of the screen. The result is a system that screens out solar radiation at the edges of the fabric as effectively as at the centre – and resists wind with a classification that outperforms most alternatives.

Performance at a Glance

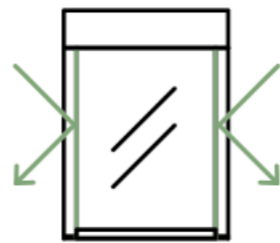
- Wind resistance to Class 6 – equivalent to winds of approximately 100 km/h
- Excellent fabric stability and lateral tensioning at all deployment stages
- Solar screening along the full edge of the awning, not just the face
- Smooth, quiet operation regardless of fabric type or installation height



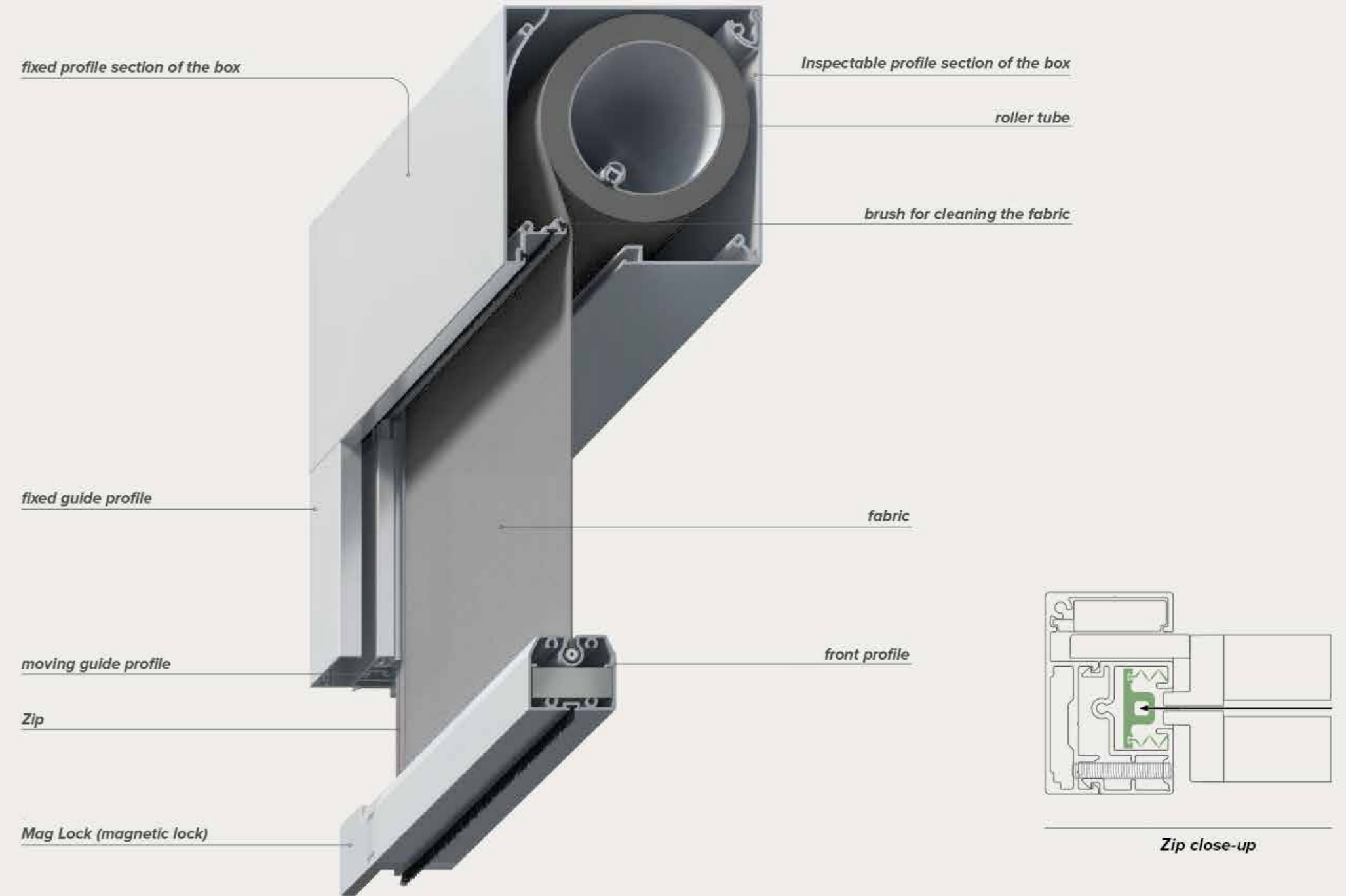
better wind resistance



excellent lateral tensioning of the fabric



screens out the sun's rays at the edges of the awning



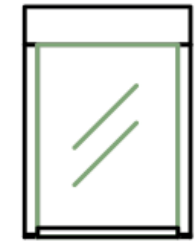
mag lock – magnetic anchoring, patented

The patented Mag Lock magnetic anchoring system was developed to deliver consistent, reliable fabric tensioning under the full range of operating conditions – including strong gusts of wind. Magnetic locking offers a fundamentally different approach to securing the front profile: no moving parts, no dedicated electronics, no servicing schedule.

Where a single large magnet was the industry standard, the Mag Lock system deploys a matrix of precisely arranged small magnets – optimising both the layout of magnetised surfaces and the arrangement of the magnetic grid for maximum holding force.

Performance Data

- Detachment force exceeds 100N per lock
- Each magnetic lock generates approximately 15 kg of holding force
- Standard installations use two locks (one per guide) – combined holding force of approximately 30 kg
- Wind resistance to Class 6 – approximately 100 km/h
- Waterproof construction – electro-welded assembly protects all magnetic components from moisture, salt and chlorine

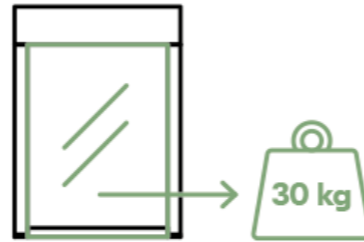


excellent fabric tensioning



better wind resistance up to Class 6

100 km/h

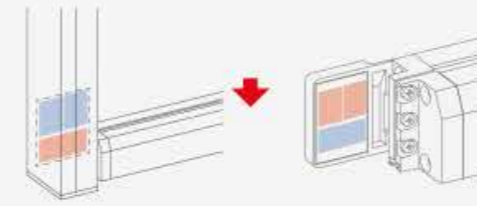


force generated by the two magnetic locks

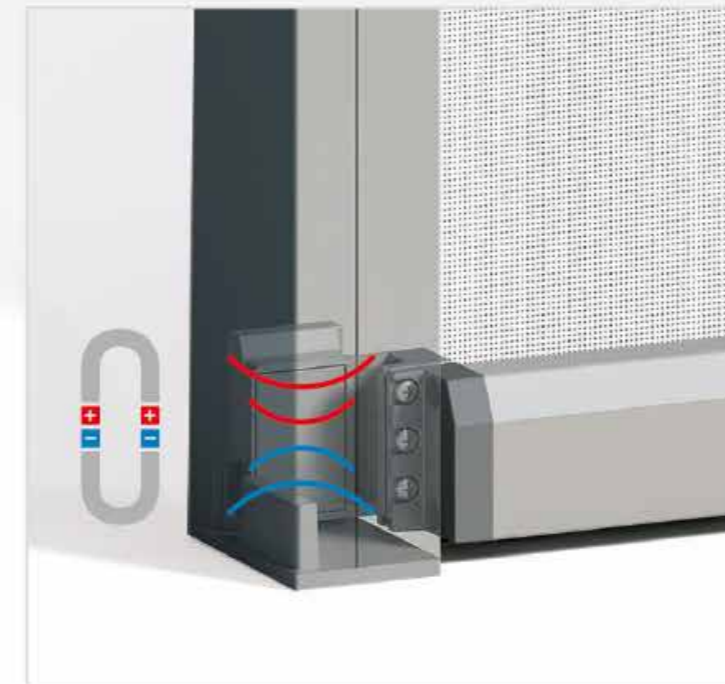
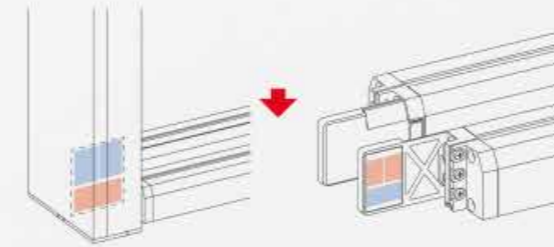


mag lock patent

CLICK ZIP 9 / 11 / 13 / 15 / GHOST 11 / 15 / NAKED



CLICK ZIP TWIN / TWIN BG



3. moving magnet

2. fixed magnet

1. front profile

Component Breakdown

Click Zip 9 / 11 / 13 / 15 / Ghost 11/15 / Naked

1. Front Profile – Rectangular cross beam with 40 x 15 mm steel ballast, ensuring uniform fabric descent

2. Fixed Magnet – Three twinned magnets electro-welded to the side stopper of the front beam. Fully sealed against water ingress

3. Moving Magnet – Three magnets electro-welded inside the guide nylon foot. Waterproof – suitable for poolside and coastal environments

Click Zip Twin / Twin BG
Same Mag Lock principle applied to the twin-fabric configuration. Front profile and magnetic locking are consistent across the full range.

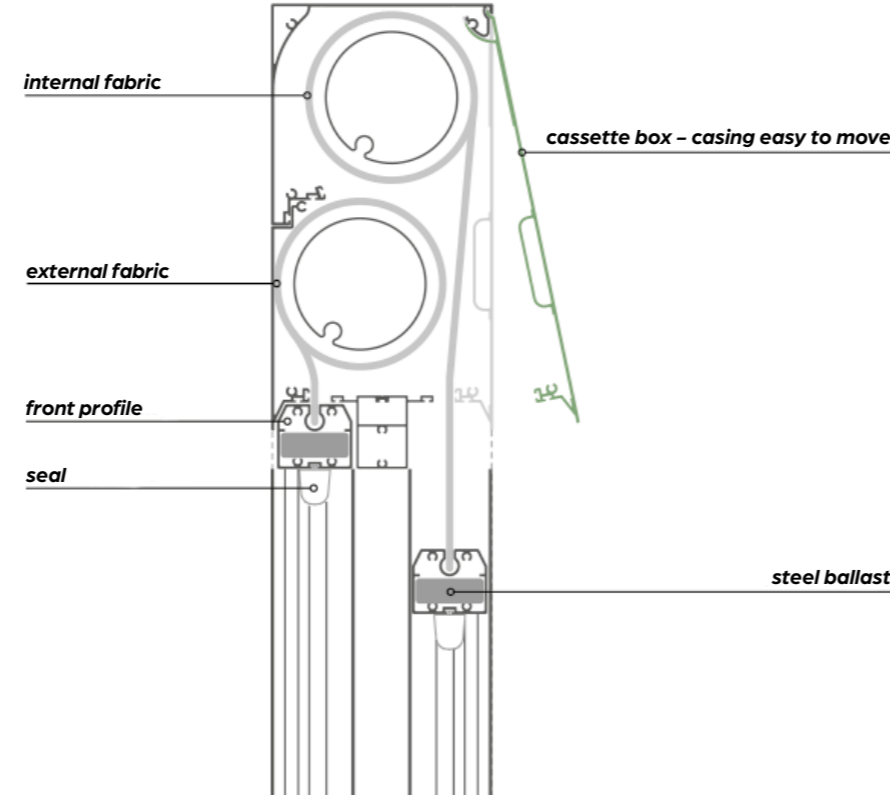
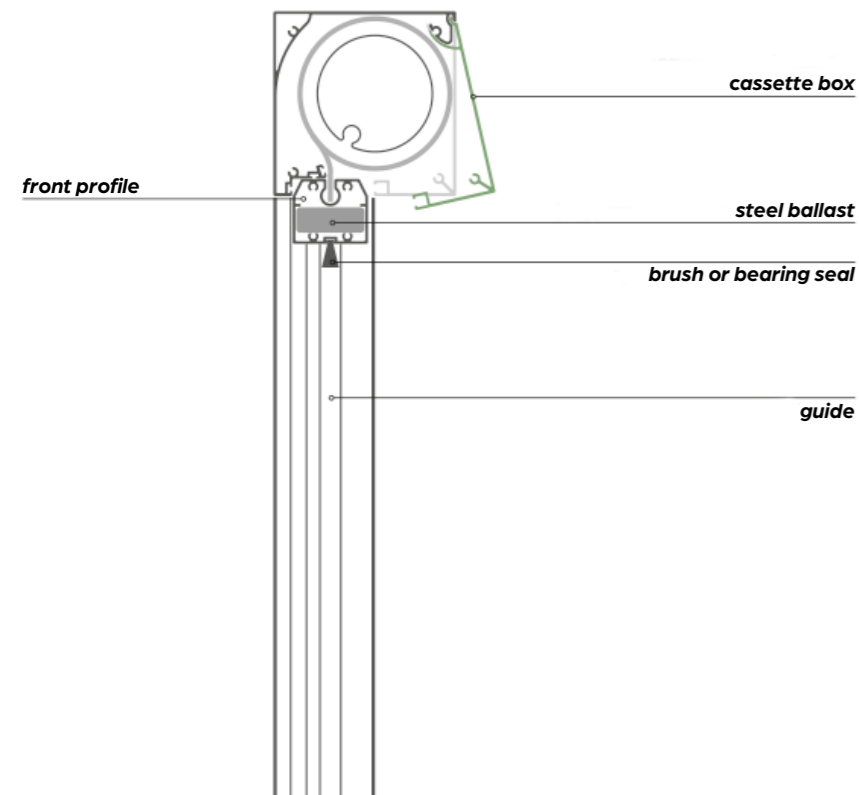
the cassette – access, finish, durability

Click Zip 9 / 11 / 13 / 15

The cassette box is fully accessible for inspection and is fitted with a moving closure system. Die-cast aluminium end elements are powder-coated to match the frame colour. The awning can be mounted into the reveal by its end elements, or it can be configured to be self-supported by its guides.

Click Zip Twin / Twin BG

Cassette cross-section: 13.0 x 25.0 cm. Fully accessible for inspection and fitted with a moving closure system. Die-cast aluminium end elements powder-coated to match. The awning can be reveal-mounted or self-supported on its guides. The twin cassette allows a summer shading fabric and an autumn Cristal PVC fabric to coexist within one single housing.

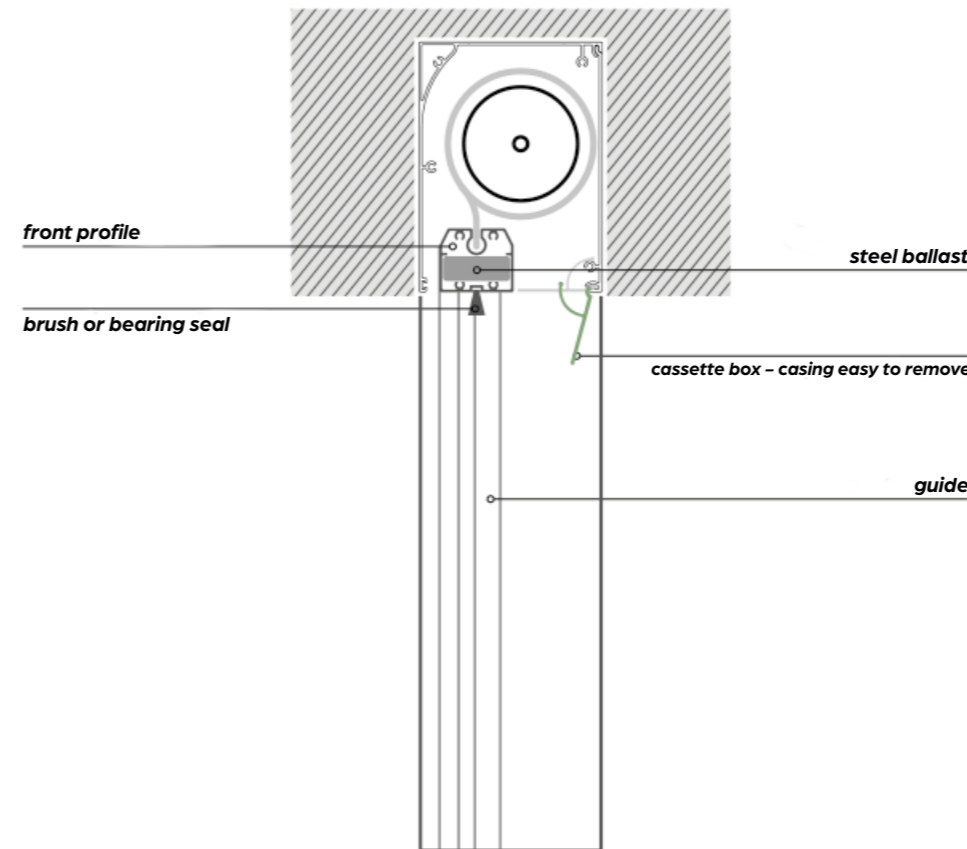


smart cover patent

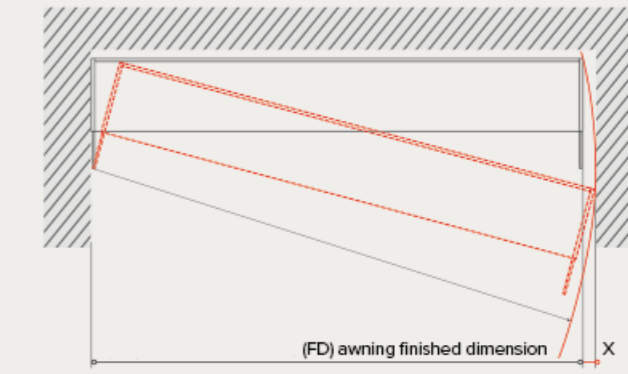
Click Zip Ghost 11 / 15 – Smart Cover Patent

The Ghost cassette is inspectable from below – an important distinction for recessed installations. Fitted with a moving closure system and die-cast aluminium end elements in matching powder-coat. The awning is reveal-mounted by its end elements.

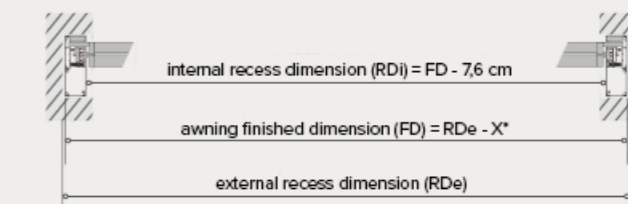
The defining feature of the Ghost cassette is the Smart Cover – the patented system that allows the front profile to retract fully inside the box when the awning is rolled up, leaving no visual trace of the mechanism. When open, it is there. When closed, it disappears.



minimum space for the installation



(Fd) awning finished dimension	X*
70 cm	40 mm
100 cm	30 mm
150 cm	22 mm
200 cm	18 mm
250 cm	15 mm
300 cm	13 mm
350 cm	12 mm
400 cm	11 mm

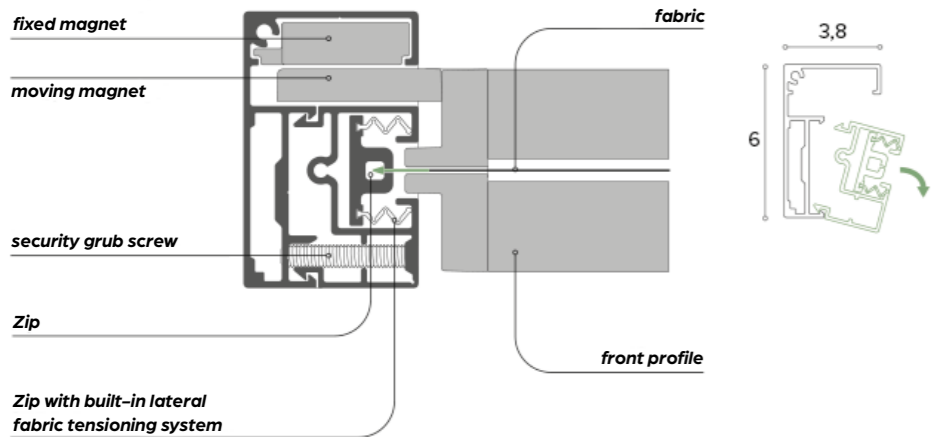


guide systems and front profile options

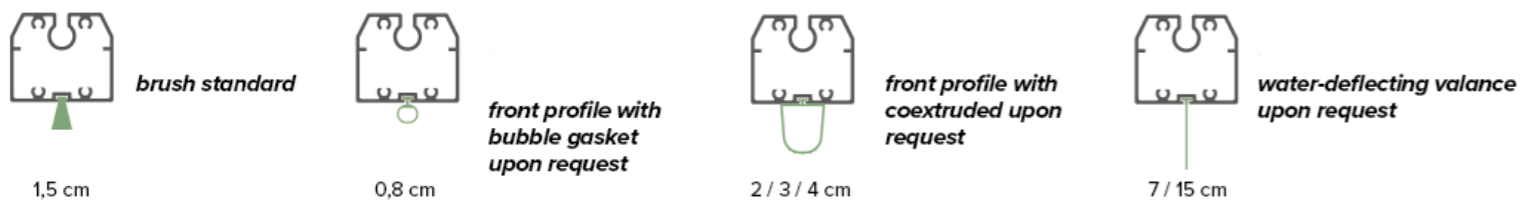
Guide 38 – Standard

The Guide 38 measures 3.8 x 6.0 cm and integrates the co-extruded PVC Zip guide system alongside the Mag Lock magnetic lock. Guides can be fixed laterally (recessed installation) or to the front face of the wall (surface installation).

Compatible with blackout, shading and insect net fabrics. All profiles are extruded aluminium and die-cast aluminium, powder-coated. Screws are stainless steel; accessories are nylon.

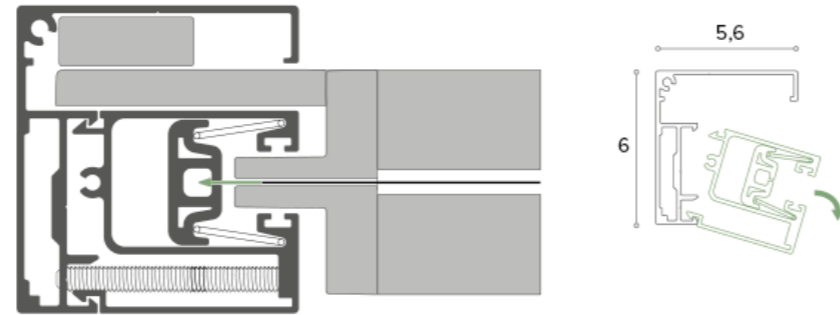


FRONT PROFILE OPTIONS

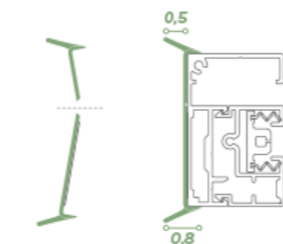


Guide 56 – Cristal / Heavy Duty

The Guide 56 measures 5.6 x 6.0 cm and features a spring-cushioned PVC Zip system with stainless steel springs — offering increased compensation, making it the preferred guide for Cristal transparent PVC fabric installations. Also compatible with blackout, shading and insect net fabrics.

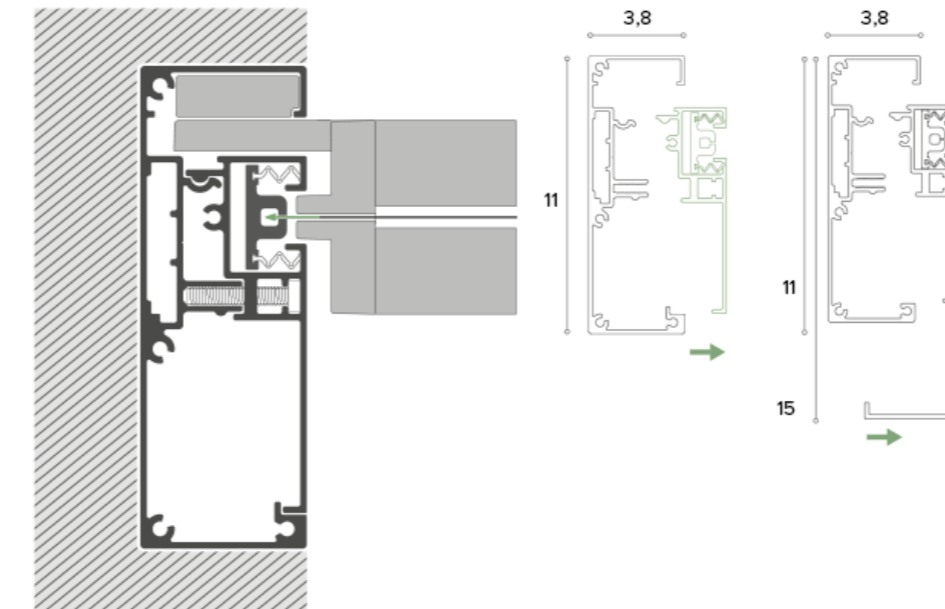


GASKET GUIDE



Recessed Guides – Click Zip Ghost 11 / 15

Designed specifically for flush integration into the window block. Dimensions: 3.8 x 11 cm (Ghost 11) and 3.8 x 5 cm (Ghost 15). Integrates the co-extruded PVC Zip system and Mag Lock. Compatible with blackout, shading and insect net fabrics.

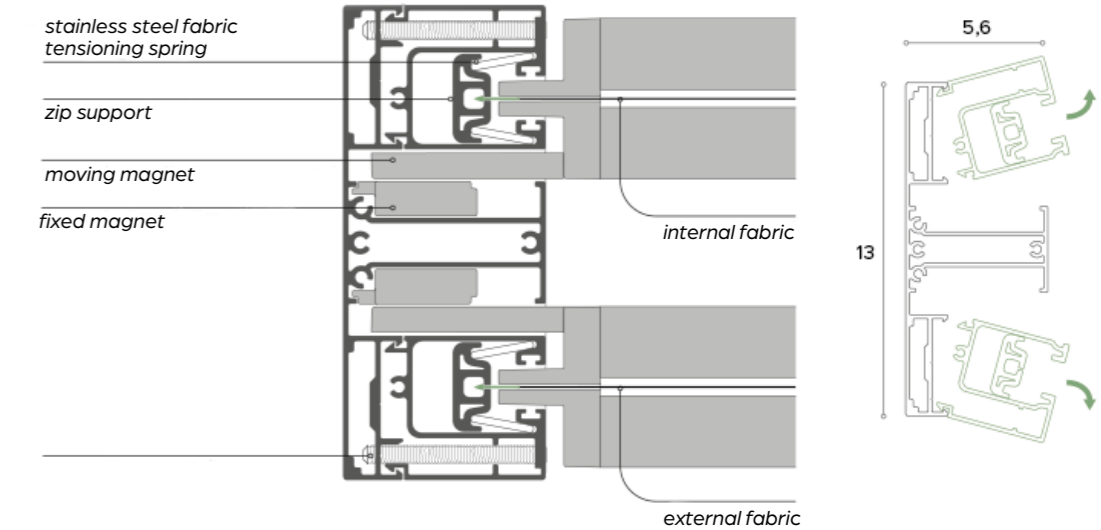


TELESCOPE COMPENSATING PROFILE



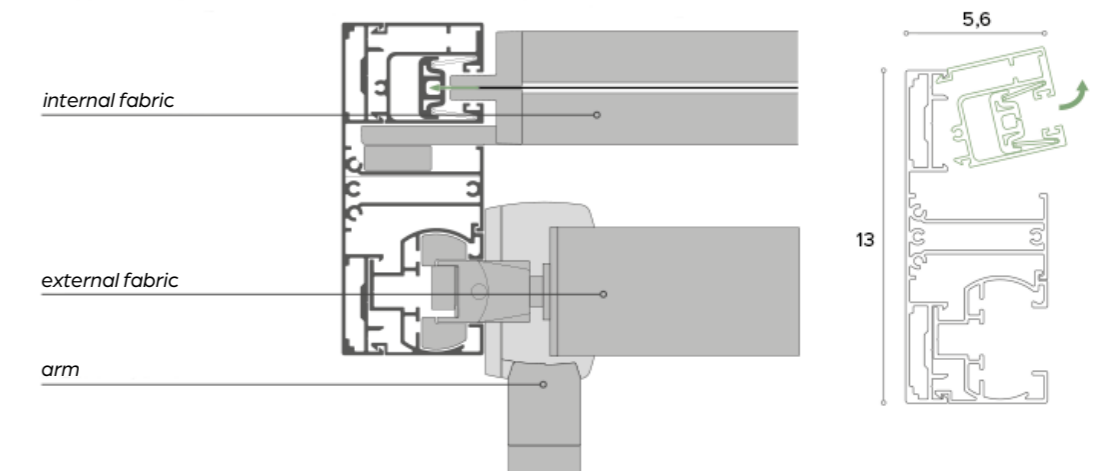
Twin Guides – Click Zip Twin / Twin BG

Twin guides measure 5.6 x 13 cm and integrate the spring-cushioned PVC Zip system with stainless steel springs. Compatible with blackout, shading, transparent Cristal, and insect net fabrics. The Twin BG variant features an additional external fabric on sliding arms. blackout, shading and insect net fabrics.



GUIDE TWIN BG / TWIN BG GUIDES

Variant with external fabric fitted with arms sliding along guides.



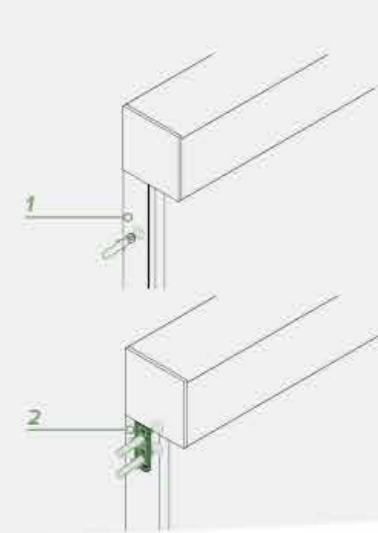
mounting configurations

Click Zip 9 / 11 / 13 / 15 / Naked / Ghost

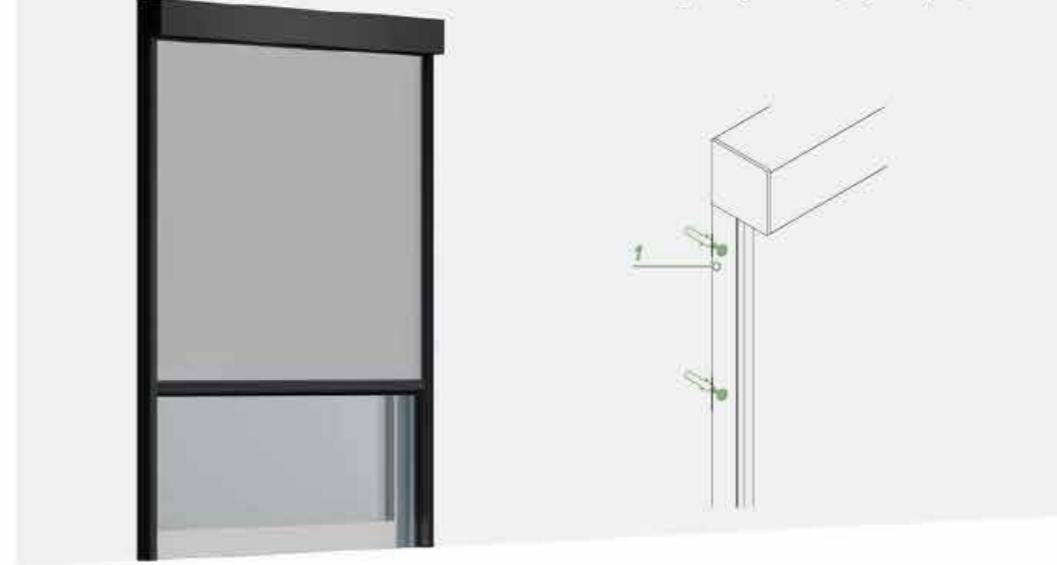
FITTING WITHIN THE RECESS



Side guidings in a reveal (standard)



Side guidings outside (upon request)

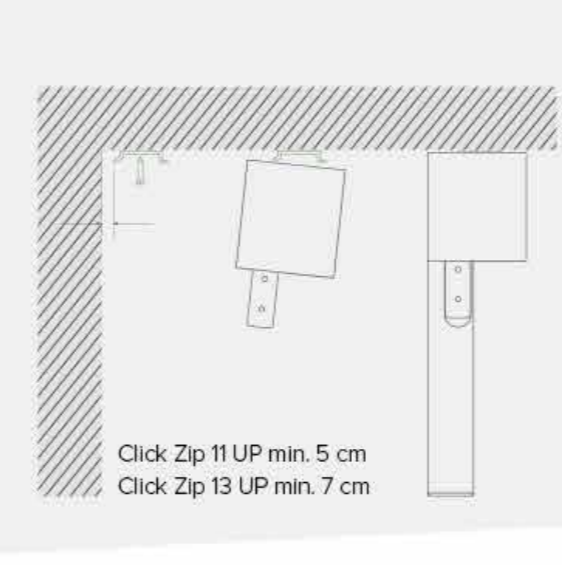


Click Zip 11 UP / 13 UP – Ceiling Fixing

CEILING FIXING

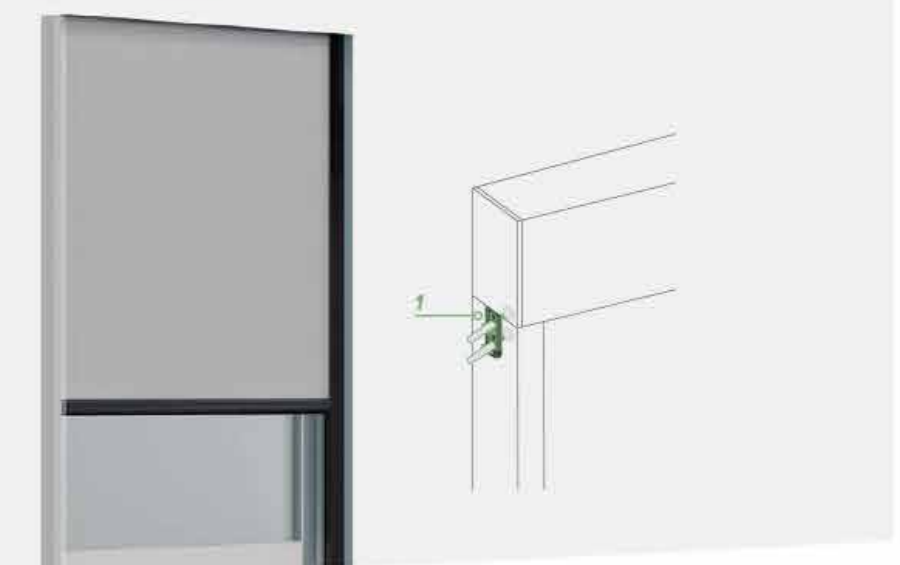


Ceiling box (standard)

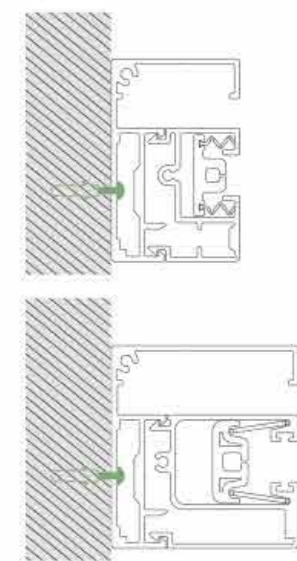


Click Zip Ghost 11 / Click Zip 11 – Ceiling Box

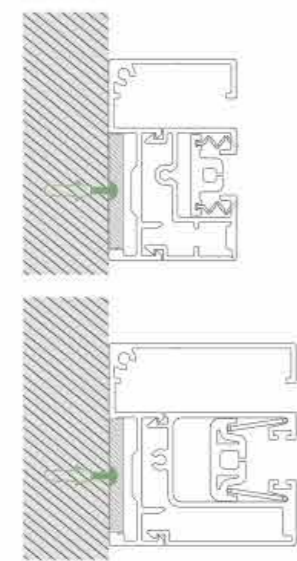
RECESSED FIXING



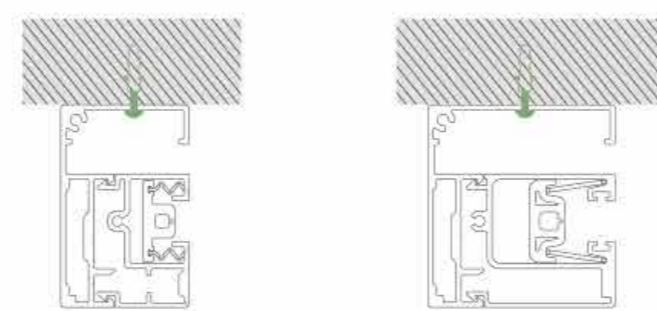
1. mounted to be self-supported by its guides



2. side fixing for the cassette – independent guides



1. guides fitted outside the recess

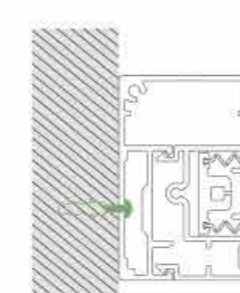


Standard installation is within the reveal (recess). Guides can be wall-mounted on request. Two primary fixing configurations:

- Self-supporting on guides
- Cassette side-fixed to reveal – independent guides

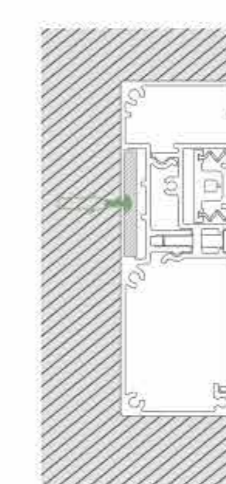
Ghost models can also be recessed into the window block using the dedicated recessed guides.

guides fixed within the reveal



The UP variants are engineered for ceiling installation. Minimum ceiling rebate required: 5 cm for Click Zip 11 UP, 7 cm for Click Zip 13 UP.

1. recessed guide fixing

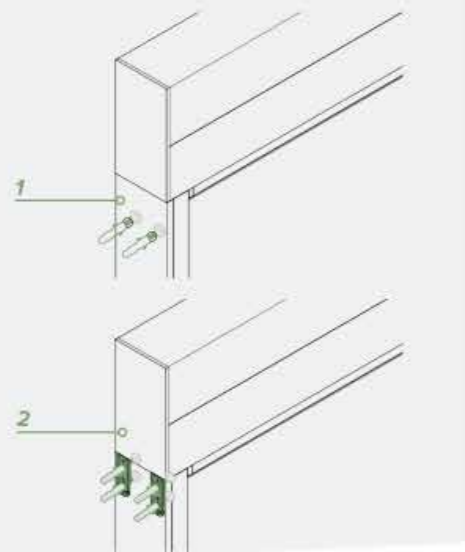


Ceiling-mounted cassette box is the standard installation configuration for Ghost models. The recessed guide system allows the full unit to sit flush within the window or ceiling reveal.

Click Zip Twin

FITTING WITHIN THE RECESS

attached directly into the reveal



1. mounted to be self-supported by its guides

2. mounted cassette box in the reveal – the guides do not support it



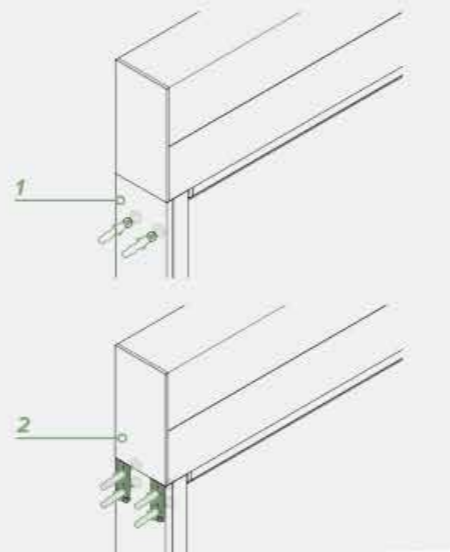
Both Twin models support recess installation with two fixing options:

- Self-supporting on guides – cassette attached directly into the reveal
- Cassette side-fixed to reveal – independent guides

Click Zip Twin BG

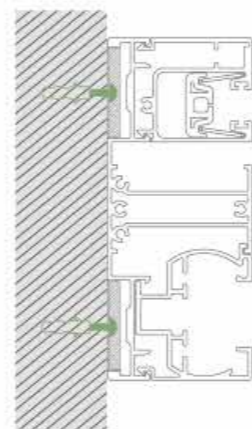
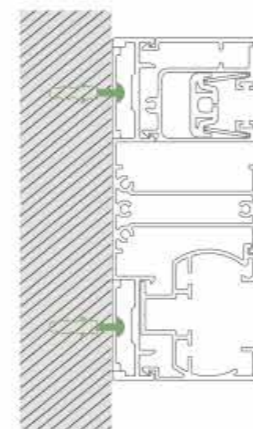
FITTING INSIDE THE RECESS

attached directly into the reveal

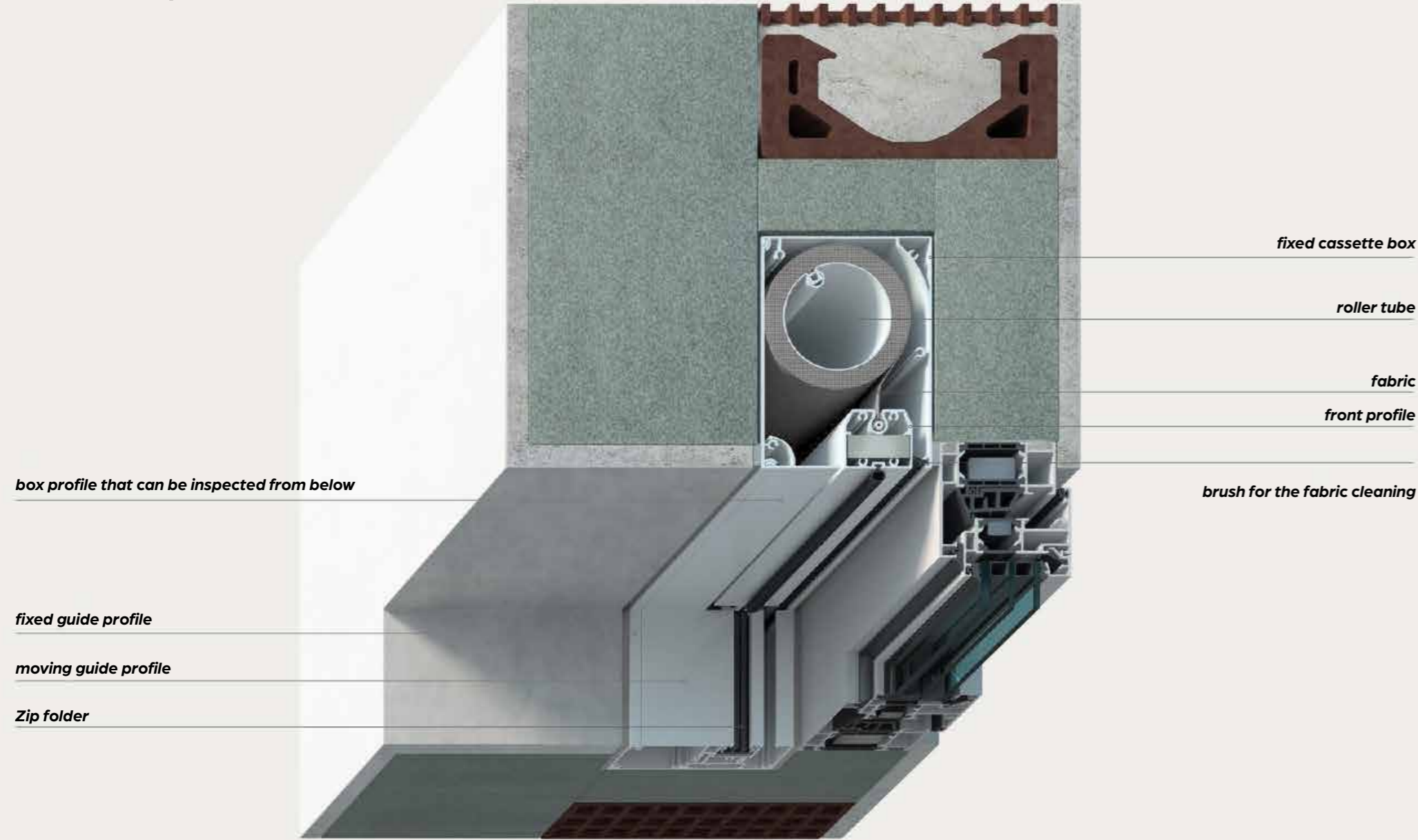


1. mounted to be self-supported by its guides

2. mounted cassette box in the reveal – the guides do not support it



Click Zip Ghost 11/15



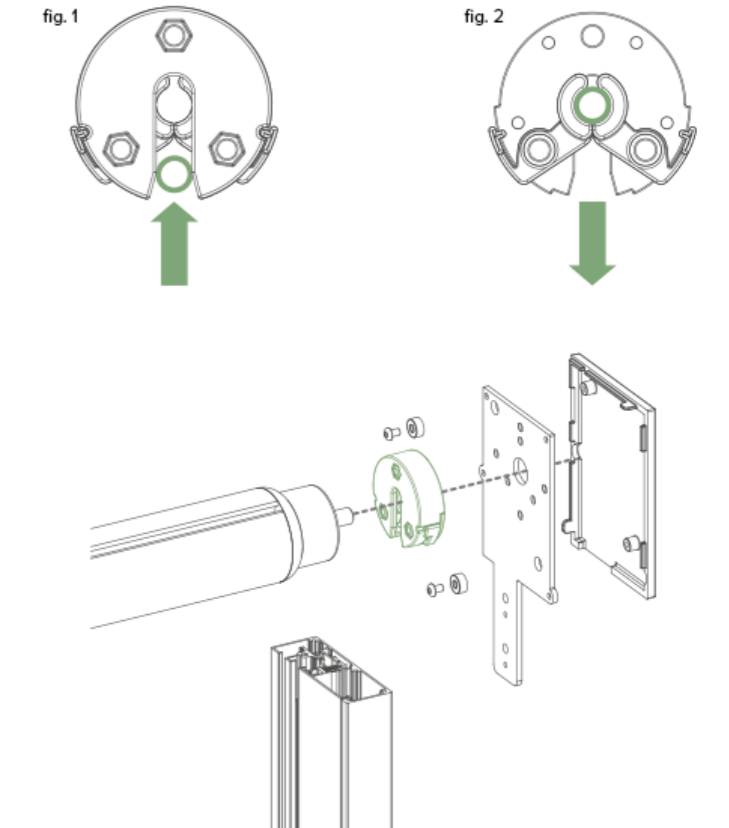
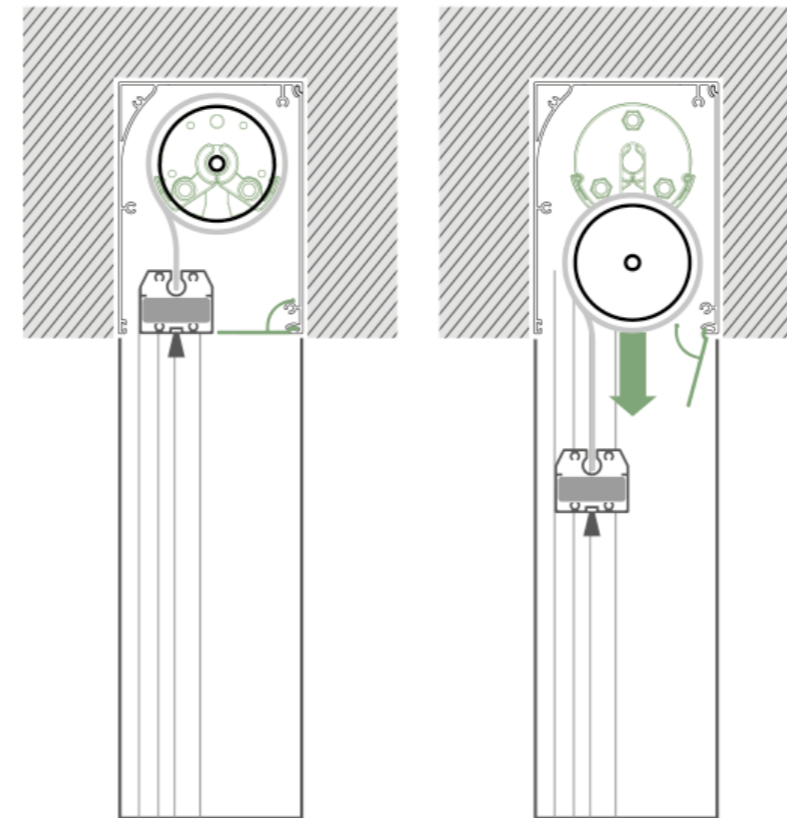
Hook-Up – engineered for easy access

In the Click Zip Ghost models, the winding roller is secured by the patented Hook-Up system – a mechanism that makes it straightforward to remove the roller when required. For recessed installations, where access from below is the only option, this is not a convenience; it is essential.

The system operates through an automatic cam-retention mechanism on the idle side of the roller. Inserting the round roller pin into the support (**fig. 1**) causes the cam mechanism to automatically close the entry point and lock the roller in position (**fig. 2**). The roller is secured without additional fixings – and cannot fall.

Hook-Up at a Glance

- Patented automatic cam-retention roller fixing
- Roller removable from below – no ceiling access required
- Ideal for recessed and flush-fitted Ghost installations
- No additional tools or fixings required for removal



hook-up patent

Control – at your fingertips

Every model in the Click Zip range is fully compatible with motorised and automated operation. Control is via Somfy® remote – simple to programme, intuitive in daily use – or directly from your smartphone.

The motors are completely concealed inside the roller tube, with power output scaled to the size of the installation. No visible mechanics, no compromises in finish.

Intelligent Automation

- Somfy® Sunteis IO sun sensor – detects solar intensity and deploys or retracts the fabric automatically, ignoring passing clouds
- Somfy® Eolis Wirefree IO wind sensor – monitors wind strength continuously; automatically retracts the awning as wind intensifies
- System protects the fabric even when you are away from the property
- Tahoma Switch home automation hub – compatible with IO and RTS technology; easy to install



Situto 1 Pure IO



Amy A/M IO



Tahoma Switch



Sensor Sunteis IO

+



Sensor Eolis Wirefree IO

Manual Control Options

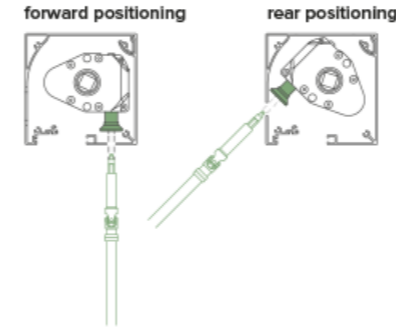
A hand crank with end-of-stroke stop is fitted as standard, preventing the fabric from being wound the wrong way and eliminating the risk of damage. The shaft is removable with a click-in attachment and fitted with a folding handle for clean storage.

Control Positions

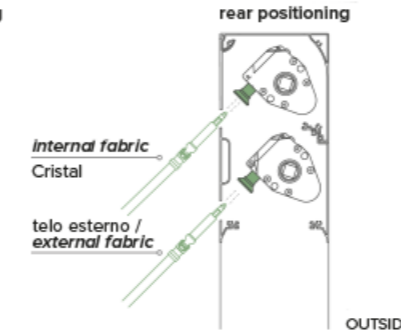
- Forward positioning (standard on Click Zip 9 / 11 / 13 / Naked)
- Rear positioning (standard on Click Zip 15 and Twin / Twin BG)
- 90° and 45° to the window casing configurations available

STANDARD

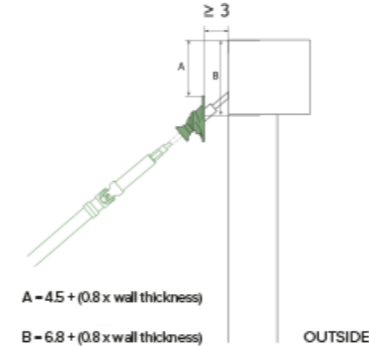
CLICK ZIP 9 / 11 / 13 / NAKED



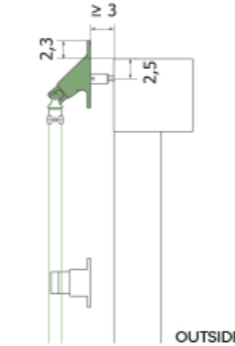
CLICK ZIP TWIN / TWIN BG



AT 45° TO THE CASING



AT 90° TO THE CASING



MS DESIGN – our quality



From the awning to the technical details, from production to the client: MS DESIGN total quality is excellence in fabrics, mechanisms and production up to assistance and competence in the points of sale.



For any specific information a MS DESIGN Atelier dealer will be at your disposal: to make an on-site consultation and to prepare an accurate quotation.



Certified safety of a solid and robust pergola, at the forefront with regard to European Union standards. CE/UKCA mark, obligatory for pergola according to what is set forth in the European EN 13561 standard. MS DESIGN tests all awnings to check they resist to wind in accordance to the EN 13561 standard. Wind classification: class 6.



A collection of 600 designs, which can be coordinated with the other parts of the structure. Countless opportunities for a made-to-measure awning like the ones of an Italian tailor.

- Fabrics treated with TEFLON to make them resistant to sun, rain, smog and mould.
- Sewn with TENARA thread, guaranteed for 10 years against wear and tear.
- Two series of specific filtering PVC for total protection from sun and rain.
- New fabrics in polyester for better performance.
- Screen and Soltis to protect yourself from the sun without renouncing the light.



MS DESIGN makes use of holographic anti-counterfeit security technology and a unique alphanumeric code. It is the unmistakable signature of the authenticity and quality of MS DESIGN. A system that protects the end user, guaranteeing maximum transparency since.



We are the first to be satisfied and certain of the quality of our products, for this reason we give you a five-year guarantee. The guarantee terms are specified in detail in the "use and maintenance" manual that accompanies each product.



ISO 9001 certification attests that the company's quality management system has been recognised as meeting a standard of excellence. ISO 45001 certification ensures that the management system complies with the relevant standard and informs employees and the public that the company protects the health and safety of its workers by providing organisational, instrumental and economic resources.



Cutting edge manufacturing technologies and craftsmanlike attention for the finishing, for mechanisms that last and work over time.

- Light aluminium alloy structure
- Stainless steel components
- Chromate-treated aluminium to protect even the most remote and hidden parts from the aggression of external agents.

TECHNICAL DATA

aluminium frame colours

All aluminium is pre-treated to bond the powder coating to a cleaned surface, slowing the effects of weathering and salt spray. Qualicoat-certified powder coating throughout.

Fabric Standards & Treatments

- TEFLON-treated fabrics- resistant to sun, rain, smog and mould
- Seams sewn with TENARA® thread - guaranteed for 10 years against wear
- All fabrics carry individual certified gtot solar transmittance values (EN 14501)
- Contact MS Design for current specifications and pricing

N.B. For combinations and availability, always refer to the MS DESIGN price list in force.



Screen Fabrics (shading)

Screen fabrics offer thermal protection without blocking the view to the outside - the most commonly specified choice for residential and commercial applications.

Blackout Fabrics

Full light-blocking PVC fabrics for total sun and rain protection - ideal for pergola and veranda applications.

Cristal - Transparent PVC

100% transparent PVC - the preferred fabric for enclosing large openings, pergolas, verandas and terraces. Protects against wind, rain and damp while maintaining full visibility and light transmission.

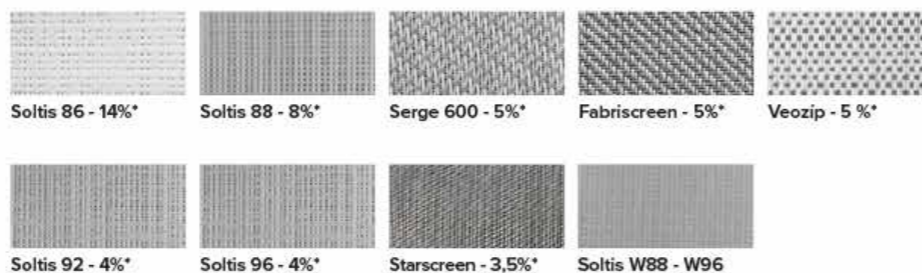
Insect Net

Insect screen mesh available across the Click Zip range - converting any aperture into a screened opening.



SHADE FABRICS BLOCKOUT FABRICS SCREEN INSECT NETS CRISTAL

SCREEN FABRICS:



* opening coefficient

INFORMATION FOR MS DESIGN CUSTOMERS From 01-09-2013 the European Regulation 528/2012 concerning the placing on the market and use of biocidal products has come into force. These are antimycotic agents. Some of the fabrics used by MS DESIGN undergo this treatment. For further information please visit our website www.msdesignni.com

standard, certification and quality

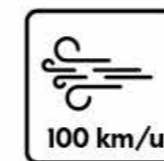
CE / UKCA Certification

CE/UKCA marking is mandatory for awnings under European standard EN 13561 and is applied to all products in the Click Zip range in compliance with:

- EN 13561 - European Outdoor Blinds Standard
- CPR 305/11 - Construction Products Regulation
- Machine Directive 2006/42/EC
- NT EN 60335-1 / EN 60335-2-97 - Electrical Safety Standards

Quality Management - ISO 9001

ISO 9001 certification confirms that the quality management system applied in production meets a recognised standard of excellence. Manufacturing processes are subject to ongoing audit and independent verification.



Wind Resistance - EN 13561

The Click Zip range has been independently tested against the EN 13561 European awning standard. The wind resistance classification now runs from Class 0 (lowest) to Class 6 (maximum certifiable - 480 Pascals safety pressure). Most products in the Click Zip range have been tested and comfortably exceed Class 6 conditions - equivalent to winds of approximately 100 km/h.



Health & Safety - ISO 45001

ISO 45001 certification confirms that the health and safety management system in place meets the required standard - protecting those who manufacture the products that carry the MS Design name.

Qualicoat - Powder Coating Quality

All aluminium powder coating in the Click Zip range carries Qualicoat certification - independently verifying the quality and durability of the finish against weathering, corrosion and mechanical stress.

Traceability Hologram

Every product carries an anti-counterfeit hologram with a unique alphanumeric code - an unambiguous mark of authenticity and material traceability, confirming the origin, composition and quality of every component.

Five-Year Guarantee

A five-year guarantee applies to all Click Zip products. Full terms are documented in the accompanying use and maintenance manual provided with every installation.



technical comparison – full range

Specification	Click Zip 9/11/13/15	Click Zip Naked	Click Zip Twin	Click Zip Twin BG	Click Zip Ghost 11/15
Max Dimensions (cm)	300x240 / 400x380 / 500x480 / 700x480	500x480	480x340	480x340	400x380 / 700x480
Cassette Size (cm)	10x9.2 / 11x11 / 13x13 / 15x15	No cassette	13x25	13x25	11x15 / 15x19
Guide Size (cm)	3.8x6	3.8x6	5.6x13	5.6x13	3.8x6
Installation Type	Recess or wall	Recess or wall	Recess or wall	Recess or wall	Recess or wall (flush)
Drive	Winch, motor, or solar	Winch, motor, or solar	Winch, motor, or solar	Winch, motor, or solar	Winch, motor, or solar
Remote	Radio / IO	Radio / IO	Radio / IO	Radio / IO	Radio / IO
Fabric Types	Acrylic, polyester, PVC, screen, insect net	Acrylic, polyester, PVC, screen, insect net	Acrylic, polyester, PVC, screen, insect net, Cristal	Acrylic, polyester, PVC, screen, insect net, Cristal	Acrylic, polyester, PVC, screen, insect net
Wind Class	Class 6	Class 6	Class 6	Class 6	Class 6
Patents	Mag Lock, Smart Cover, Guide Seal, No Wave Ring	Mag Lock, Smart Cover, Guide Seal, No Wave Ring, Hook-Up	Mag Lock, Smart Cover, Guide Seal, No Wave Ring	Mag Lock, Smart Cover, Guide Seal, No Wave Ring	Mag Lock, Smart Cover, Guide Seal, No Wave Ring, Hook-Up
LED Lighting	4000K white / 3000K warm (not on CZ9)	Not available	4000K white / 3000K warm	4000K white / 3000K warm	4000K white / 3000K warm
Materials	Aluminium, nylon, stainless steel	Aluminium, nylon, stainless steel	Aluminium, nylon, stainless steel	Aluminium, nylon, stainless steel	Aluminium, nylon, stainless steel
Certifications	CE/UKCA EN 13561 ISO 9001 ISO 45001 Qualicoat gtot EN 14501	CE/UKCA EN 13561 ISO 9001 ISO 45001 Qualicoat gtot EN 14501	CE/UKCA EN 13561 ISO 9001 ISO 45001 Qualicoat gtot EN 14501	CE/UKCA EN 13561 ISO 9001 ISO 45001 Qualicoat gtot EN 14501	CE/UKCA EN 13561 ISO 9001 ISO 45001 Qualicoat gtot EN 14501
Guarantee	5 Years	5 Years	5 Years	5 Years	5 Years

Contact MS Design for current specifications and pricing.

click zip

MSDESIGN NI

www.msdesignni.com

info@msdesignni.com

+44 (0) 28 3829 7717



Disclaimer

Images, drawings, colours, and specifications shown in this brochure are illustrative only and carry no contractual value. MS Design reserves the right to modify technical characteristics, specifications, and details at any time, without prior notice, in line with continuous product development. For current specifications, finishes, configurations, and pricing, please contact MS Design directly.