

sloping pergola systems

**MSDESIGN**  
BESPOKE LIVING AND DECOR



## GIVING OUTDOOR SPACES THE ATTENTION THEY DESERVE

There is a place outside every home – a terrace, a garden, a corner you return to when the light is right. We believe those spaces deserve the same thought and craft as any room inside. Protection from the heat when the sun is strong. Natural light when you want it.

A connection to the outdoors that stays comfortable through the seasons.

Our outdoor systems are built around that idea. Engineered to perform, designed to disappear into the architecture around them, and specified to last.

### MS DESIGN IS SUSTAINABILITY

“Built for how you actually live outside”



We work exclusively with manufacturers that operate on 100% renewable energy.



Our structural profiles are manufactured from recycled aluminium – material that can be reclaimed and used again.



We are committed to progressively eliminating single-use plastics across our full product range.



We specify FSC-certified materials wherever possible – including the papers used in this brochure.



## sloping pergolas

Our Sloping Pergola Systems >4

Configurations >14

Accessories >20

Technology & Patents >28

Technical Data >30

Product Chart >32

# our sloping pergola systems

Our sloping pergola range is built around a retractable, folded PVC fabric cover, supported by aluminium cross-section bars fixed to the fabric using the patented Weather Strip system – a joint that guarantees waterproof performance at every connection point. The bars travel on guides via carriages, driven by a high-resistance toothed belt running on stainless steel ball bearings.

Extruded aluminium profiles, the front bar, and guide rails are all powder coated. Brackets and fittings are stainless steel. Sliding carriages are nylon with toothed wheels, stainless steel bearings, and stainless steel pivots. Closing is manual (with winch) or motorised. Sun and wind sensors are available to extend and retract the fabric in response to conditions.

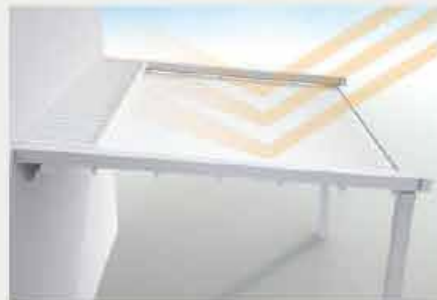
Our sloping pergolas integrate with Glisse glass doors, zip drop screens, electric heating, integrated audio, and LED lighting – allowing an outdoor space to function through every

season and every hour of the day. Spot LED lighting with low-energy technology can be integrated directly into the cover structure.

The fabric is blackout UV-resistant PVC, waterproof and tested to perform. For Zero+ models, the fabric is shading or polyester. An aluminium corrugated protective roof is available to shield the retracted fabric, including under snow load.

For correct rainwater drainage, the structure requires a minimum slope of between 8% and 21% depending on dimensions.

Our sloping range also includes three retractable cover systems designed to be fitted to existing structures – the ideal solution for completing or upgrading any outdoor space.



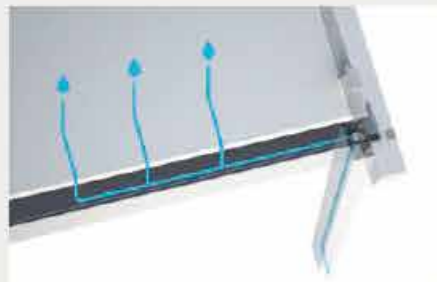
**Benefit 1 – icon: 365 DAY**

Enjoy more outdoor space  
Our sloping pergola systems extend the usable life of any outdoor area – year-round comfort, on any terrace, patio, or garden.



**Benefit 2 – icon: ALL-SEASON PROTECTION**

All-season protection  
UV-resistant, waterproof, and wind-tested to European standard. Engineered to perform in real conditions, from the heat of summer to the cold of winter.



**Benefit 3 – icon: DESIGN & TECHNOLOGY**

Design and technology  
Clean powder-coated aluminium, precision-engineered patented systems, and a finish range that works with any architectural palette.



**SOLAR PROTECTION SECTION**

**Solar protection**

Our pergola systems measurably improve thermal and visual comfort in the spaces they cover, reducing the energy demand on adjacent buildings and filtering harmful UV radiation. The level of protection depends on the weight, thickness, and colour of the fabric specified. Rain protection section (Viva, Luce, Jeans, Quadra, Quadra 165, Med 100, Avia)

**Rain protection**

Our covers are manufactured from PVC fabric that is waterproof and oil-resistant, immune to mould and fungal growth, and resistant to heat, frost, weathering, and temperature change. When the pergola is not in use, fitting a protective roof is recommended – particularly where snowfall is possible.

**WATER DRAINAGE SECTION**

Viva, Jeans, Quadra, Quadra 165

**Integrated water drainage**

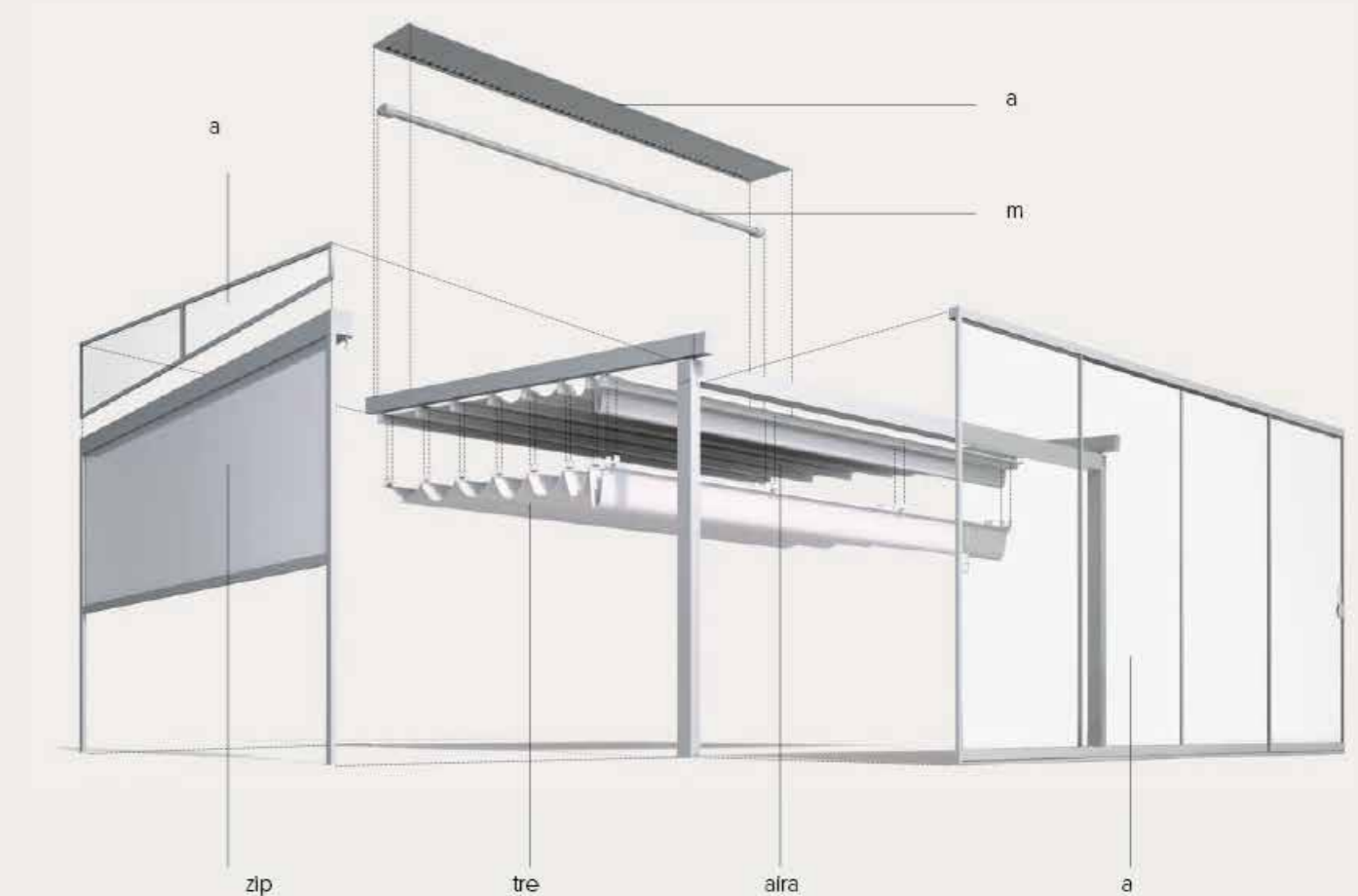
Rainwater is discharged via a gutter integrated into the front bar. Drainage is routed through the posts to ground level, with no visible external pipework.

**WATER DRAINAGE SECTION**

Luce, Avia

**Moving gutter drainage**

Water is channelled into a gutter that travels with the cover as it extends and retracts. It discharges to ground through two openings in the lateral end caps of the front bar.



**This text to be placed on diagram**

Structure diagram labels

for image callout lines)

- Side gable panel (optional)
- Protective roof
- Motorisation
- Zip screens
- Inner liner
- LED lighting
- Glass doors

Central pull quote (large type, image overlay): Outdoor comfort. Whatever the season.

**“Outdoor comfort. Whatever the season.”**



### viva

**Residential:** private property  
**Location:** available on request  
**Our product:** Viva with integrated LED lighting

The Viva is a powder-coated aluminium sloping pergola of precise, refined lines – a structure where every detail is considered. The lateral guide rails (70 × 130 mm) incorporate an integrated drainage leg. The diamond-pattern frame, folded PVC fabric cover, and front gutter with integrated drainage through the posts are standard. Available wall-fixed, ceiling-fixed, or self-bearing (Pavilion model). The minimum installation slope is between 8% and 19%, depending on dimensions.



### quadra

**Residential:** private property  
**Location:** available on request  
**Our product:** Quadra (single module)

The Quadra is a powder-coated aluminium pergola with stainless steel brackets and hardware throughout. Its design is defined by an original diamond-detail front frame – a considered detail that elevates the structure without complicating it. The load-bearing guide rail sits flush with the front gutter profile, keeping the structure clean from every sightline. Available wall-fixed, ceiling-fixed, or self-bearing (Pavilion model). The minimum installation slope is between 8% and 19%, depending on dimensions, with an integrated gutter and drainage through the posts as standard.

For covering a span between two walls, Quadra Wall is available – the same system without posts, with specific front and rear wall-fixing brackets.





## luce

**Residential:** private property

**Location:** available on request

**Our product:** Luce with integrated LED lighting

## luce

The Luce is a powder-coated aluminium sloping pergola defined by the sharp, clean angle where the post meets the load-bearing guide rail – a patented detail that gives the structure its distinctive, architectural character. For projections up to 500 cm, no intermediate cross-bars are required, meaning that with the fabric retracted, the view to the horizon is completely unobstructed.

The fabric is folded blackout PVC. Water is channelled into a moving gutter that travels with the cover, discharging to ground through two lateral openings in the front bar end caps.

Luce is designed to create a continuous flow between interior and exterior space. By its nature, it does not accommodate lateral enclosure systems.



## jeans

**Residential:** private property

**Location:** available on request

**Our product:** Jeans (single module)

Jeans is designed to bring genuine style to smaller outdoor spaces. Post profiles and guide rails (60 x 100 mm) are dimensioned for townhouses, terraced properties, and apartments with balconies or compact terraces. The fabric bars support the PVC cover correctly within this reduced geometry.

The design is minimalist in the truest sense – clean structural lines, no exposed fixings, and a wall connection finished flush to the surface, concealing all mechanical movement components completely. A slim, precise structure with genuine character: where technology and design work quietly together.



## avia

**Residential:** private property

**Location:** available on request

**Our product:** Avia (single module)



The Avia is a powder-coated aluminium pergola with a suspended guide rail system – the structure is held by aluminium tension cables fixed to the wall via stainless steel brackets, eliminating the need for front posts entirely. Available in single or multi-module configurations. The retractable cover incorporates a moving front gutter with lateral drainage as standard. Cover operation is manual or motorised via the patented Fast Coupling system – compatible with WT, RTS, and IO-Homecontrol® motors.





## quadra 165

**Commercial:** restaurant  
**Location:** available on request  
**Our product:** Quadra 165 with integrated LED lighting

The Quadra 165 is designed for large-span applications – projections up to 880 cm – making it the right choice for covering substantial terraces, hospitality areas, and commercial outdoor spaces. The powder-coated aluminium load-bearing structure follows the Quadra design language but with larger-section profiles for greater structural capacity and rigidity. Minimum installation slope between 8% and 21%, depending on dimensions. Available self-bearing (Pavilion), wall-fixed, or ceiling-fixed.



## med 100

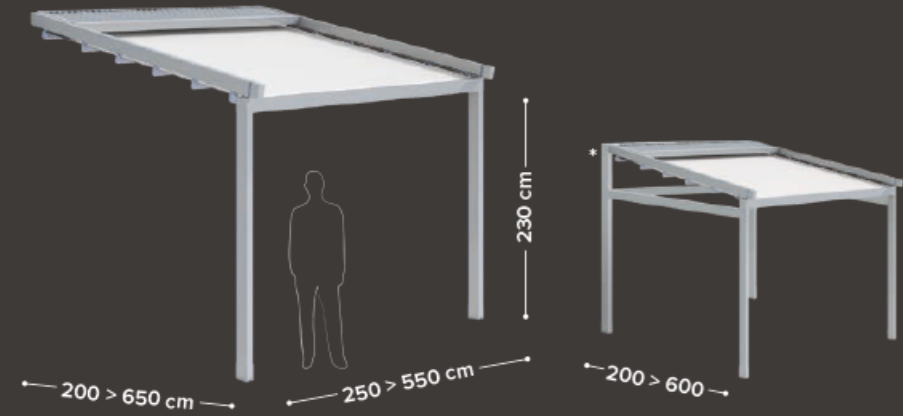
**Residential:** private property  
**Location:** available on request  
**Our product:** Med 100

The Med 100 is a retractable cover system designed to be applied to existing structures. PVC fabric is supported by cross-section bars that slide on guide rails, making it adaptable to a wide range of existing outdoor frameworks.

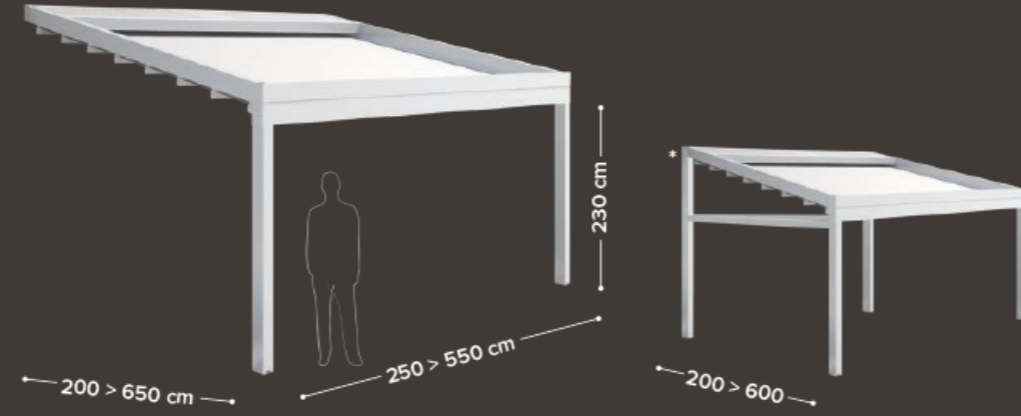
Profiles are powder-coated aluminium; sliding carriages are nylon. Cover operation is manual or motorised. A minimum slope of between 8% and 19% is required, depending on dimensions. Also available in two- and three-module configurations.

### CONFIGURATIONS viva and quadra

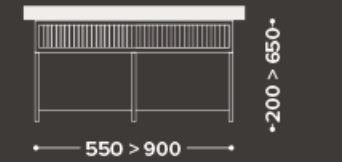
**VIVA**  
single module (wall-fixed and  
Pavilion self-bearing)



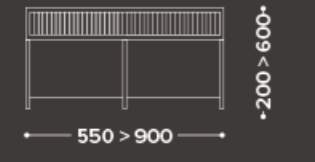
**QUADRA**  
single module (wall-fixed and  
Pavilion self-bearing)



**VIVA**  
2 modules



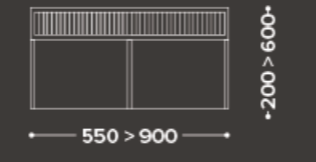
**VIVA PAVILION**  
2 modules



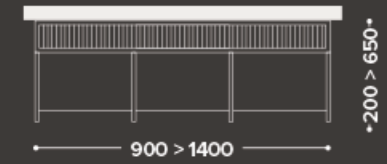
**QUADRA**  
2 modules



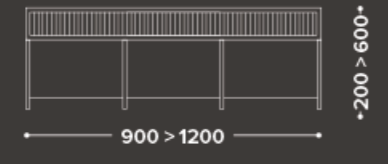
**QUADRA PAVILION**  
2 modules



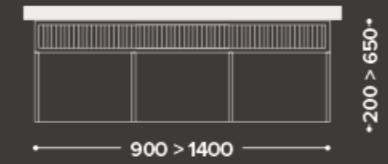
**VIVA**  
3 modules



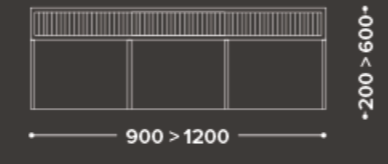
**VIVA PAVILION**  
3 modules



**QUADRA**  
3 modules

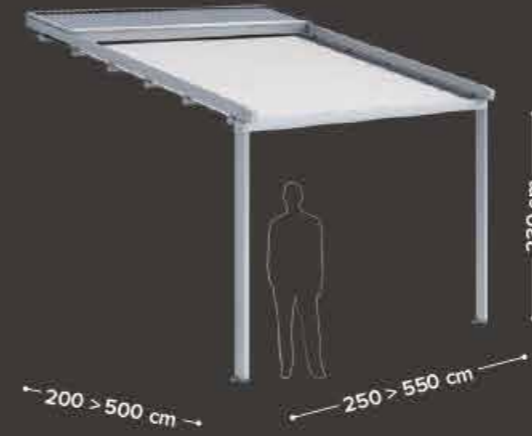


**QUADRA PAVILION**  
3 modules

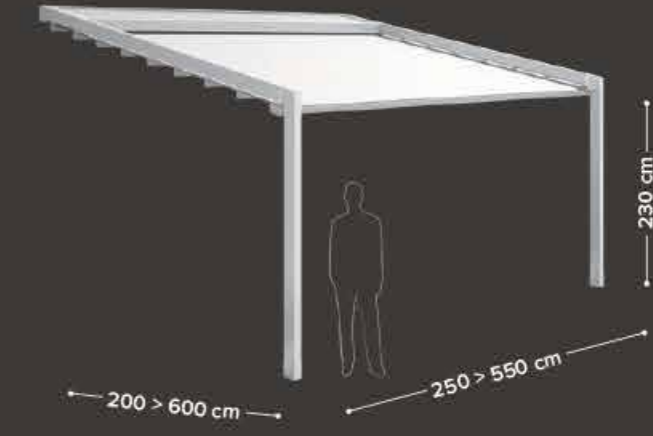


### CONFIGURATIONS jeans and luce

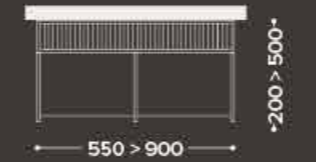
**JEANS**  
1 module



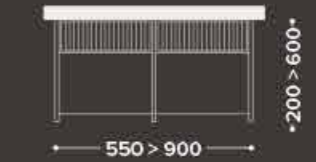
**LUCE**  
1 module



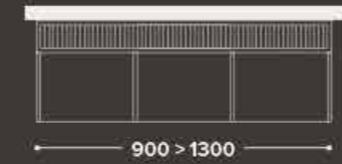
**JEANS**  
2 modules



**LUCE**  
2 modules



**JEANS**  
3 modules

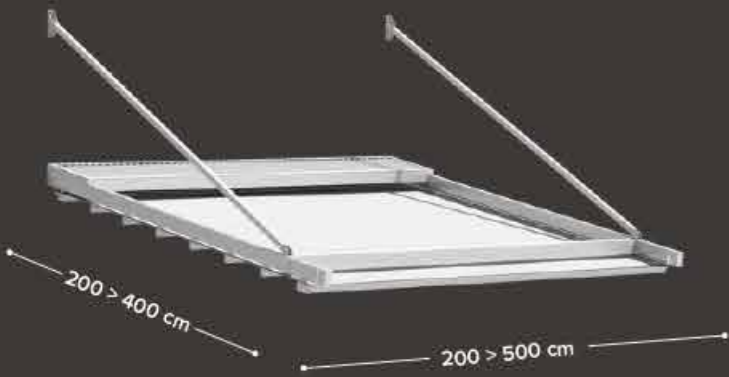


**LUCE**  
3 modules

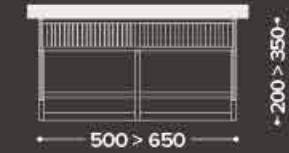


# CONFIGURATIONS avia

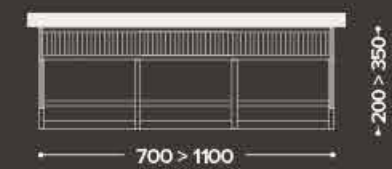
AVIA  
1 module



AVIA  
2 modules

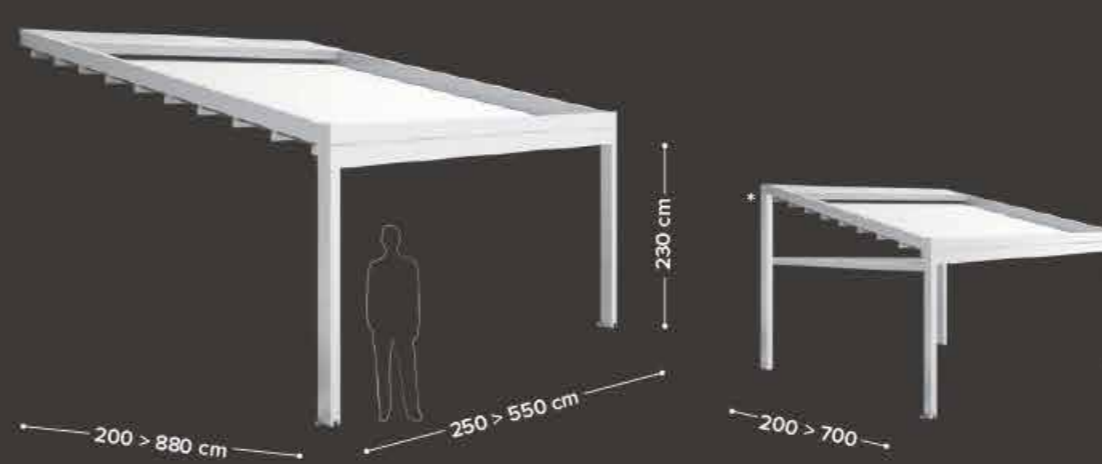


AVIA  
3 modules

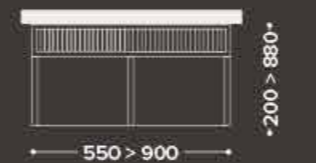


# CONFIGURATIONS quadra 165

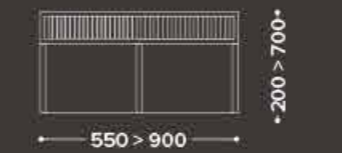
QUADRA 165  
1 module



QUADRA 165  
2 modules



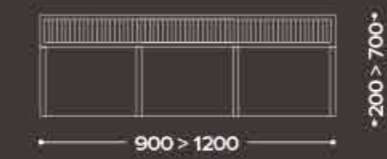
QUADRA 165 PAVILION  
2 modules



QUADRA 165  
3 modules



QUADRA 165 PAVILION  
3 modules



# CONFIGURATIONS

## retractable covers for existing structures

**MED**  
1 module



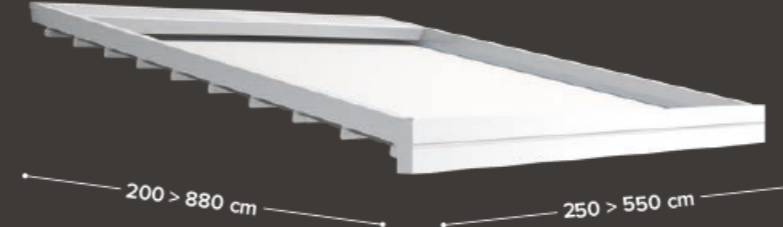
**QUADRA WALL**  
1 module



# CONFIGURATIONS

## retractable covers for existing structures

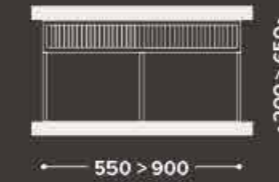
**QUADRA WALL 165**  
1 module



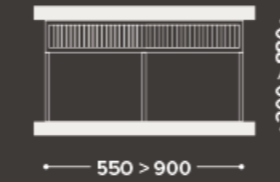
**MED**  
2 modules



**QUADRA WALL**  
2 modules



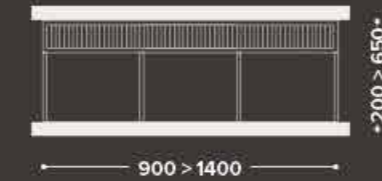
**QUADRA WALL 165**  
2 modules



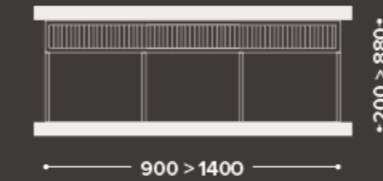
**MED**  
3 modules



**QUADRA WALL**  
3 modules



**QUADRA WALL 165**  
3 modules



## ACCESSORIES

### deck – modular flooring systems

Deck is a modular platform system that creates an even, level surface beneath the pergola, with the flexibility to specify different flooring types to match the project aesthetic. It can be installed without permanent ground fixings and is designed for seamless integration with Glisse sliding glass panels, maintaining a clean, unbroken visual line from structure to floor. Adjustable levelling elements, support components, and optional integrated lighting complete the system – allowing precise customisation of the outdoor space underfoot.



### soft – draped curtain system

Soft is a draped curtain designed to add shade, privacy, and warmth to the space beneath the pergola. Made from Parà Tempotest fabric, it runs smoothly along the track rail via integrated hooks and sliders. Available as a single panel up to 290 cm in height, or as a two-panel system for widths beyond 350 cm. Coordinated fabric ties and spare accessories are included as standard. The result is a soft, tactile layer of enclosure – warm in aesthetic, precise in function.



## ACCESSORIES

### zip screens

Our zip screen range provides a clean, lateral enclosure solution, with multiple profiles available to suit different aperture sizes and performance requirements. All models feature zip-track technology for a smooth, draught-free seal on both edges. Fabric options include blackout, shading, transparent Cristal, and insect screen – with dimension limits varying by the chosen fabric.



**CLICK ZIP 9**  
max width up to 300cm  
max height 240cm



**CLICK ZIP 11**  
max width up to 400cm  
max height 380cm



**CLICK ZIP 13**  
max width up to 500cm  
max height 400cm



**CLICK ZIP 15**  
max width up to 700cm  
max height 480cm



**CLICK ZIP TWIN**  
max width up to 480cm  
max height 320cm



**CLICK ZIP TWIN BG**  
max width up to 480cm  
max height 320cm

## ACCESSORIES

### glisse glass doors

Glisse is our sliding glass door system – finished to a high standard and specified with materials chosen for durability and clarity. Panels are manufactured in tempered safety glass (10 or 12 mm) available in standard, extra-clear, satin, mirrored, or smoked glass. The powder-coated aluminium frame works in conjunction with silver anodised aluminium track rails; each panel glides on parallel rails via twin carriages for smooth, quiet, effortless movement. Configurations are available in 2, 3, 4, and 5 tracks, with up to 10 panels, and with either lateral or central opening. Aluminium handles are supplied as standard on the inner face, with external handles available as an option. Track rails manage condensate drainage as standard. Noise insulation up to 19 dB.

**Standard finish:** White RAL 9010 Satin. Alternative finishes – see frame colour reference on page 30.

**Lower rail and tracks:** Anodised aluminium.

**Availability note (replaces Gibus price list reference):** For current colour availability and compatibility, please contact MS Design.



#### Glass configuration table – side opening

**2 PANELS / 2 TRACKS**  
min width 125cm  
max width 300cm



**3 PANELS / 3 TRACKS**  
min width 179cm  
max width 300cm



**4 PANELS / 4 TRACKS**  
min width 232cm  
max width 600cm



**5 PANELS / 5 TRACKS**  
min width 286cm  
max width 720cm



**4 PANELS / 2 TRACKS**  
min width 245cm  
max width 600cm



**6 PANELS / 3 TRACKS**  
min width 352cm  
max width 860cm



**8 PANELS / 4 TRACKS**  
min width 459cm  
max width 1160cm



**10 PANELS / 5 TRACKS**  
min width 566cm  
max width 1280cm



#### HANDEL

Rectangular anodised aluminium dragging handle – standard on the inner face. Optional additional handle on the outer face.



#### LOCK (OPTIONAL)

Lock with knob on the inner face, brass satin finish. Lock with key on outer face and inner dragging knob, satin steel effect.



#### TRACK RAIL AND SEALS

Anodised aluminium rails with sealing gaskets between panels as standard – improves weather resistance.

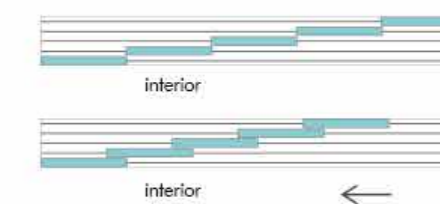


#### LOWER LOCKING (OPTIONAL)

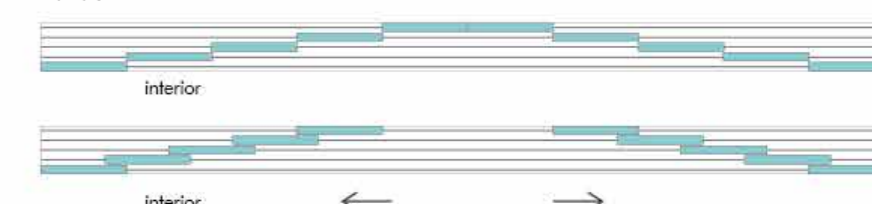
Single lever in aluminium colour (inner face only), or double lever (inner and outer faces).



#### Panels



#### Panels



#### Panels



## ACCESSORIES

### lighting and audio

#### Lighting systems

Our sloping pergola systems can be used into the evening thanks to the integrated LED lighting range. Three solutions are available, all low-energy LED technology. Available in WHITE (4,000 K), with warm light at approximately 2,700 K or 3,000 K on request.

#### Lighting type label

LED Spotlights – integrated in cross-support bars: Individual rectangular LED spotlights built into the fabric support profiles, positioned every 50 cm. Each spotlight: 2.5 Watts.

#### Integrated audio system

Our integrated audio system connects via Bluetooth and delivers clear, consistent sound beneath the pergola. The system comprises a base unit and one or more peripheral units depending on the number of modules – each peripheral includes two additional speakers. Audio modules are fitted into the last fabric support profile closest to the wall.

**Compatible with:** Luce, Viva, Viva Pavilion, Jeans, Quadra, Quadra Pavilion, Quadra Wall, Quadra 165, Quadra 165 Pavilion, Quadra 165 Wall, Med 100, Avia.

**Compatible with:** Luce, Viva, Viva Pavilion, Jeans, Quadra, Quadra Pavilion, Quadra Wall, Quadra 165, Quadra 165 Pavilion, Quadra 165 Wall, Med 100, Avia.



## ACCESSORIES

### heating systems

Outdoor living should not stop when the temperature drops. Whether it is a private terrace or a commercial hospitality setting, our intelligent heating systems make the space comfortable through the colder months – without compromise.

Our heating systems feature electronic safety controls, intuitive on/off operation, optimised energy consumption, straightforward installation, and flexible heat distribution.

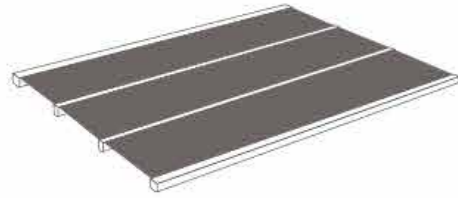
#### Hot-Top –product detail

Hot-Top is an infra-red heater of understated design – no visible light, no glare. It operates on long-wave IR-C technology, delivering a deep, enveloping warmth to both the space and the people within it. Constructed from 6060 aluminium with the radiant element anodised to resist weathering and environmental exposure. Wall or ceiling mounting. Optional dimmer remote control with three power settings. Available in black: 1,800 W, 2,400 W, and 3,200 W.



## ACCESSORIES

### fabric options and inner liner



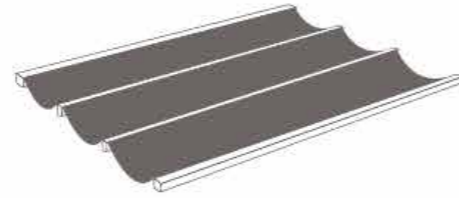
#### Flat tensioned fabric

Perfectly tensioned folds – a uniform surface for maximum protection and waterproofing.



#### Flat tensioned with lateral drainage

Tensioned fabric with a slight lateral incline, directing water to drain at the sides.



#### Wave fabric

A fluid, undulating profile with strong visual character – combining function and form for an outdoor space that feels as good as it looks.

## Inner Liner

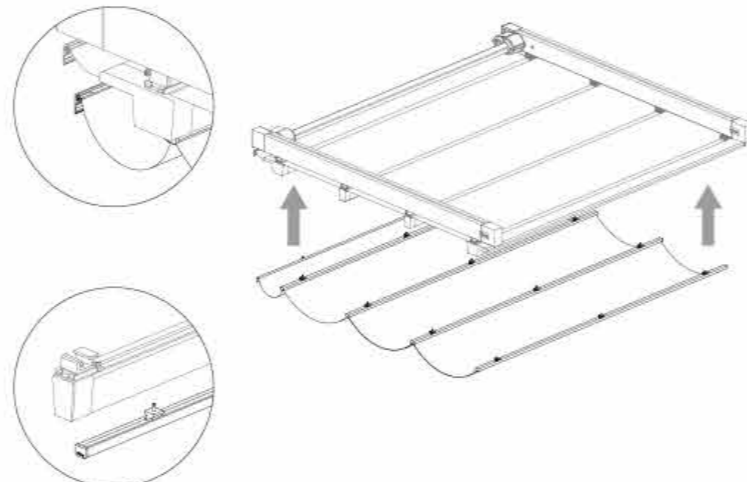
(Contre-toile/Contralona)

#### Inner Liner

An inner liner in wave-effect fabric, applied to the underside of the pergola cover against the support bars. The air chamber formed between the outer and inner fabric layers improves thermal insulation and prevents condensation. The liner attaches to the support bars via a click-fit aluminium profile with two independent fabric sleeves – fast to install with no structural intervention required.

**Standard fabric:** Tempotest Home 100% acrylic in four colours: white (15), beige (151/15), cream (93/15), light grey (79/15).

**Compatible with:** Luce, Viva, Viva Pavilion, Jeans, Quadra, Quadra Pavilion, Quadra Wall, Quadra 165, Quadra 165 Pavilion, Quadra 165 Wall, Med 100.



## ACCESSORIES

### optional items and standard supply



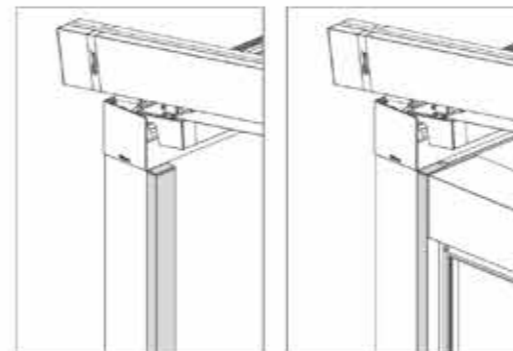
#### Optional: Protective roof (Auvent / Cubierta)

When the fabric is retracted without another form of protection in place, a protective roof should be fitted. The roof is available in profiled aluminium – panels are contained within perimeter aluminium profiles that collect and channel water. Compatible with: Luce, Viva, Viva Pavilion, Jeans, Quadra, Quadra Pavilion, Quadra 165, Quadra 165 Pavilion, Med 100, Avia.



#### Optional: Anti-drip profile

An aluminium or plastic profile with a sealing gasket that presses against the fabric, preventing wind from driving water or rain past the edge of the cover.



#### Optional: 60x30 profile for lateral and front closures

Powder-coated aluminium profiles for installation of lateral Click Zip screens. Compatible with: Jeans, Viva, Quadra.

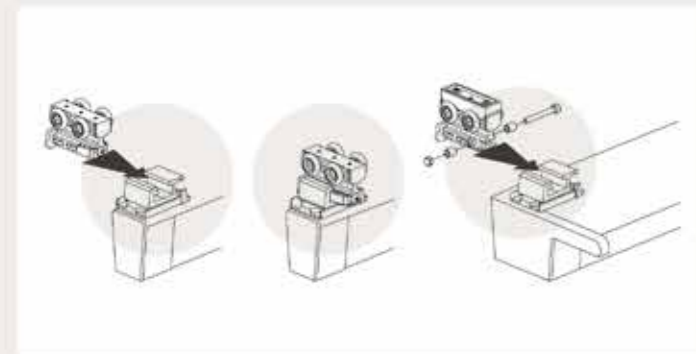
## standard supply

**common features across** Luce, Viva, Viva Pavilion, Jeans, Quadra, Quadra Pavilion, Quadra 165, Quadra 165 Pavilion, Med 100, Avia

- Aluminium die-cast casing with belt tension adjustment.
- Quick-release aluminium connection via patented Quick Block bayonet system for the fabric support bar.
- Minimum installation slope between 8% and 21% for correct drainage (see current specification tables for slope calculations).
- Motorised operation via the patented Fast Coupling system. Standard, RTS, or IO-Home control® by Somfy.
- All models tested and certified to wind resistance requirements under European standard UNI EN 13561.

## technology and patents

Our sloping pergola systems are the result of sustained engineering research – a programme of development that has produced a series of patented systems designed to simplify installation, improve long-term performance, and set a higher standard for protection.



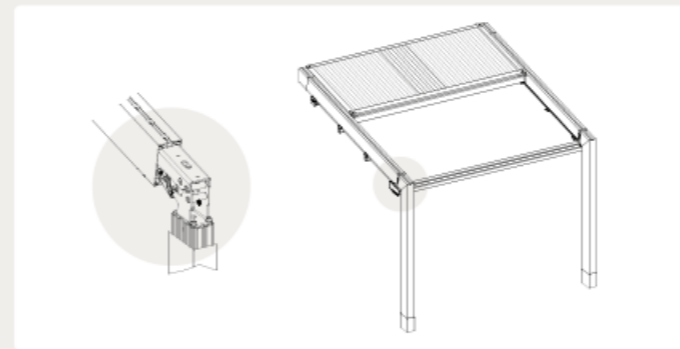
### Quick Block

A patented rapid-coupling system for connecting the sliding carriage with the front bar or fabric support bar. Quick Block uses a spring-loaded stainless steel front bayonet mechanism – no screws to tighten, no tools required. The aluminium support guarantees a high level of weather sealing even under critical load or frost conditions: the load is carried by the carriage on stainless steel bearings, running in an extruded aluminium channel fixed directly to the fabric support bar for maximum rigidity. Simplifies both installation and maintenance.



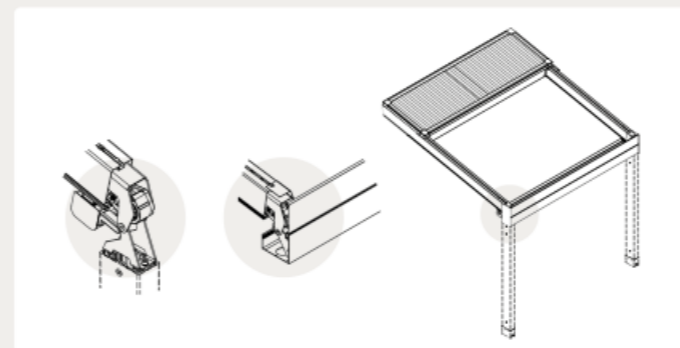
### Fast Coupling

A patented system for rapid coupling of the concealed tubular motor to the drive gears. The motor head is inserted into its housing; the gear is slid outward until both gears engage and the pivot is seated. The motor aligns automatically with the drive belt – no wall bracket required, as it is integrated with the full structure. Protective casings enclose the system completely. The result: a secure, protected installation that is significantly faster to commission and to service.



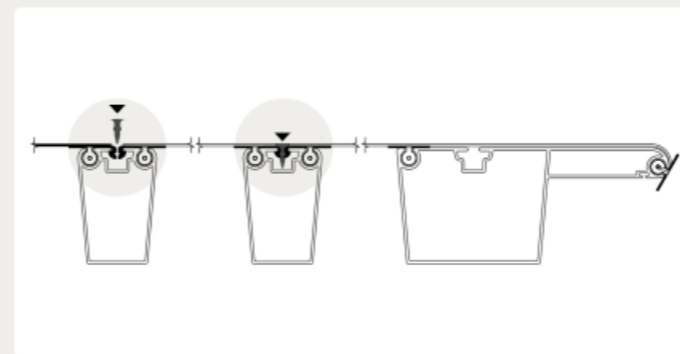
### Corner System

A patented connection system between the post and the load-bearing guide rail – the detail that gives the Luce its defining sharp-edge aesthetic. An adjustable device allows profiles to be cut precisely at the joint angle, securing all structural elements without a single visible fixing.



### Quadra System

A compact drainage system incorporating a front load-bearing gutter for water collection, with integrated drainage through the posts. In the Quadra Wall version, water is directed to the ground directly.



### Weather Strip

A patented system for sealing separate or partially separated fabric panels to the support bars using a “nail” joint profile. Each fabric panel has a special lipped border welded to it; the lips are inserted into the support bar and sealed by pressing in a second “nail” joint – achieving close-to-perfect waterproofing at every seam. The key advantage: individual fabric panels are fully independent of one another. If a panel is damaged – by something falling from above, for example – only that panel needs replacing. No disassembly of the full system required.

## TECHNICAL DATA

### frame and fabric colours

#### Frame colours

Our aluminium profiles undergo a multi-stage pre-treatment process that cleans the surface and seals the coating bond – slowing the effects of weathering and salt air exposure. Powder coating delivers additional corrosion protection and mechanical resilience. All frame finishes carry Qualicoat certification.

**Availability note (replaces Gibus price list reference):** For current colour availability and compatibility, please contact MS Design.



#### Fabric colours

Our standard fabric is manufactured in blackout OPATEX PVC with a high UV protection rating and a solar transmittance factor of zero. The external face is finished with an anti-dust acrylic coating; the inner face has a textile-effect embossed surface. Available in two single-colour options and six two-colour combinations.

#### Fabric colour and solar performance data

Colour	white	champagne
Solar Transmission	0%	0%
Solar Reflection	72%	63%
Solar Absorption	28%	37%

#### Two-colour combinations (external / internal)



#### Customer information

From September 2013, European Regulation 528/2012 governing the placing on the market and use of biocidal products has been in force. These include antimycotic agents. Some of the fabrics used in our products undergo this treatment. For further information, please contact MS Design or visit [www.gibus.com](http://www.gibus.com).

## MOTORISATION AND AUTOMATION

Our motorised systems are powered by Somfy® – a trusted name in precision automation. Motors sit invisibly inside the roller unit, sized to the dimensions and weight of the fabric. Automated operation adds comfort and protects the structure from the unexpected.

The Sunteis IO sun sensor reads solar intensity and opens or closes the fabric independently – responsive, intelligent, and unaffected by passing cloud. When the Eolis Wirefree IO wind sensor detects rising wind speeds, the system retracts the fabric automatically – monitoring conditions continuously and managing the pergola’s response even when you are not on site.



## MS DESIGN

### why our systems perform



From the fabric to the finest structural component, every element in our range is specified for performance and longevity. That means excellence in materials, in mechanisms, and in the finish quality your clients will see and feel every day.



- Blackout PVC options for total sun and rain protection
- New-generation polyester fabrics for enhanced performance
- Screen and Soltis options for sun protection without sacrificing daylight



- CE/UKCA marked – compliant with European standard EN 13561 and tested against it
- All systems tested to wind resistance Class 4
- Structural aluminium alloy frame with stainless steel hardware
- Chromate-treated aluminium to protect concealed and internal components from environmental exposure



#### Five-year guarantee

We stand behind every system we supply with a five-year product guarantee. Full terms and conditions are set out in the use and maintenance documentation supplied with each product.



#### Certification

ISO 9001 certification confirms our quality management system meets a recognised standard of excellence. ISO 45001 certification demonstrates our commitment to the health and safety of every person involved in bringing our products to market.



#### Fabric quality

Over 600 fabric designs, coordinated across the full product range.

- TEFLON-treated fabrics – resistant to sun, rain, smog, and mould
- TENARA® thread seams – guaranteed 10 years against wear



## PRODUCT CHART

Key: = Standard • = Available on request – = Not available

Technical Characteristics	Viva	Quadra	Jean	Luce
Bespoke sizing	Yes	Yes	Yes	Yes
Max module size	500 × 650 / 550 × 600 cm	500 × 650 / 550 × 600 cm	550 × 500 cm	550 × 600 cm
Standard post height	230 cm	230 cm	230 cm	230 cm (mobile gutter)
Post dimensions	7 × 13 cm	7 × 13 cm	6 × 10 cm	7 × 13 cm
Frame height	13 cm	26.5 cm	10 cm	–
Configurations	Self-bearing (Pavilion), wall-fixed	Self-bearing (Pavilion), wall-fixed, cover only, Quadra Wall	Wall-fixed	Wall-fixed
Fabric closing mode	Folding (retractable)	Folding (retractable)	Folding (retractable)	Folding (retractable)
Fabric type (standard)	Tensioned with support bar	Tensioned with support bar	Tensioned with support bar	Tensioned with support bar
Fabric options	Lateral drainage, wave	Lateral drainage, wave	Lateral drainage, wave	Lateral drainage, wave
Required slope	8%–19%	8%–19%	8%–19%	8%–19%
Integrated water drainage	✓	✓	✓	✓
Remote control	Radio: IO or RTS	Radio: IO or RTS	Radio: IO or RTS	Radio: IO or RTS
Drive options	Winch, standard, RTS, IO motor	Winch, standard, RTS, IO motor	Winch, standard, RTS, IO motor	Winch, standard, RTS, IO motor
LED colour temperature	4,000 K / 2,700–3,000 K warm (on request)	4,000 K / 2,700–3,000 K warm (on request)	4,000 K / 2,700–3,000 K warm (on request)	4,000 K / 2,700–3,000 K warm (on request)
Wind resistance certification	Min. Class 3	Min. Class 3	Min. Class 3	Min. Class 3
Registered design	✓	✓	✓	✓

## PRODUCT CHART

Key: = Standard • = Available on request – = Not available

Technical Characteristics	Quad 165	Med 100	Avi
Bespoke sizing	Yes	Yes	Yes
Maximum module size	500 × 880 / 550 × 790 cm	550 × 700 cm	500 × 400 cm
Standard bridging height	240cm	–	–
Post dimensions	9.2 × 15 cm	–	–
Frame height	34cm	–	13cm
Configurations	Self-bearing (Pavilion), wall-fixed, cover only, Quadra 165 Wall	Cover only	Wall-fixed
Fabric closing mode	Folding (retractable)	Folding (retractable)	Folding (retractable)
Fabric type (standard)	Tensioned with support bar	Tensioned with support bar	Tensioned with support bar
Fabric options	Lateral drainage, wave	Lateral drainage, wave	Lateral drainage, wave
Required slope	8%–21% 1	8%–21%	8%–21%
Integrated water drainage	✓	–	–
Remote control	Radio: IO or RTS	Radio: IO or RTS	Radio: IO or RTS
Drive options	Winch, standard, RTS, IO motor	Winch, standard, RTS, IO motor	Winch, standard, RTS, IO motor
LED colour temperature	4,000 K / 2,700–3,000 K warm (on request)	4,000 K / 2,700–3,000 K warm (on request)	4,000 K / 2,700–3,000 K warm (on request)
Wind resistance certification	Min. Class 3	Min. Class 3	Min. Class 3
Registered design	✓	–	✓

**PRODUCT CHART**

Key: = Standard • = Available on request – = Not available

Certifications (all models)	Applies to
Qualicoat powder coating certification	All models
CE / UKCA EN 13561 – CPR 305/11 – Machine Directive 2006/42/EC – NT EN 60335-1 EN 60335-2-97	All models
Fabric Gtot – UNI EN 14501	All models
Structural calculations – Eurocodes and NTC 2018-CNR	All models
Seismic resistance – NTC 2018-CNR	All models
LED lighting – EN 60598	All models
LED safety – EN 62031	All models

Warranties and patents	Viva	Quadra	Jeans	Luce
5-year warranty	✓	✓	✓	✓
Patents	Weather Strip, Fast Coupling, Quick Block	Quadra System, Weather Strip, Fast Coupling, Quick Block	Weather Strip, Fast Coupling, Quick Block	Weather Strip, Fast Coupling, Quick Block, Corner System
Traceability hologram	✓	✓	✓	✓

Warranties and patents	Quadra 165	Med 100	Avia
5-year warranty	✓	✓	✓
Patents	Quadra System, Weather Strip, Fast Coupling, Quick Block	Weather Strip, Fast Coupling, Quick Block	Weather Strip, Fast Coupling, Quick Block
Traceability hologram	✓	✓	✓

**PRODUCT CHART**

Key: = Standard • = Available on request – = Not available

Accessories	Viva	Quadra	Jeans	Luce
Zip screens	•	•	•	–
Glass doors	•	•	•	–
de gable panel	•	•	•	–
LED spotlights (support bars)	•	•	•	•
Wind detector	•	•	•	•
Temperature sensor	•	•	•	•
Integrated audio	•	•	•	•
Smart device / domotics interface	•	•	•	•
Heating systems	•	•	•	•
Protective roof	•	•	•	•
Anti-drip profile	✓	✓	✓	✓
Inner liner	•	•	–	•
Fabric type	PVC Opatex	PVC Opatex	PVC Opatex	PVC Opatex
Frame material	Aluminium	Aluminium	Aluminium	Aluminium
Fixings	Stainless steel	Stainless steel	Stainless steel	Stainless steel
Powder coating range	See colour ref. p.30	See colour ref. p.30	See colour ref. p.30	See colour ref. p.30





# slopping pergola systems

**MSDESIGN NI**

[www.msdesignni.com](http://www.msdesignni.com)

[info@msdesignni.com](mailto:info@msdesignni.com)

+44 (0) 28 3829 7717



## **Disclaimer**

Images, drawings, colours, and specifications shown in this brochure are illustrative only and carry no contractual value. MS Design reserves the right to modify technical characteristics, specifications, and details at any time, without prior notice, in line with continuous product development. For current specifications, finishes, configurations, and pricing, please contact MS Design directly.